

# Locksets



high quality locks



4210 / 4217S / 4217W.....	LD25
4213C / 4214 Series.....	LD22
4218C / 4219 Series.....	LD23
4220-05 / 65 / Dummy, 4221-05 / 65 / Dummy .....	LD18
4222, 4222T, KP3024.....	LD19
4222E .....	LD20
4223.....	LD21
4290/4290N - 05 / 63 / 65.....	LD27
4291/4291N - 05 / 63 / 68.....	LD28
4292S / 4624A / 4625 / 4625A .....	LD26
4293/4293N - 05 / 63 / 68.....	LD30
4294/4294N - 05 / 63 / 68.....	LD31
4297/4927N - 05 / 63 / 68.....	LD29
4309/ 4311 (4300 Series).....	LD33
4326NT.....	LD24
4622 Series .....	LD10-11
4626 Series .....	LD4
4626-NS Series .....	LD5
4635-65 / 68 / 69 .....	LD13
4638 / 4639 / 4642 / 4643 / 4644 / 4645 .....	LD32
4648A-65 / 68 / 69.....	LD13
4648H-65 / 68/ 69.....	LD13
4650 Series .....	LD6
4651 / 4651-B.....	LD12
4652 .....	LD12
4653 Series .....	LD7
4681BP / SBG-BP / SBG-BPD / 5-BP (Fixing Back Plate).....	LD36
AT-01 / AT-02 (Aid Tool) .....	LD36
CLS Series .....	LD15
CL / CLQ Series .....	LD14
CL / CLQ-2H Series .....	LD17
CP32, CP33-12 / 13 / 15, CP35-31 / 33 .....	LD34
Display Wood Stand.....	LD38-39
ES004, 005, 007, 008, 009, 014 (ES Series) .....	LD8-9
Finishes .....	LD40-42
LL Series .....	LD15
RK-06 / 13 / 21 / 24 / 27 (Rebated Kit ) .....	LD37
Spindle Series .....	LD35

	4626, 4626NS, 4650, 4653 Series	LD4-7
	ES Series (Euro Mortise Lock)	LD8-9
	4622 Series	LD10-11
	4651 / 4651-B, 4652	LD12
	4635, 4648A, 4648H Series	LD13
	CL & CLQ, LL & CLS Series	LD14-16
	CL & CLQ-2H Series	LD17
	4220, 4221, 4222, 4223 Series	LD18-21
	4213C, 4214, 4218C, 4219 Series	LD22-24
	4326NT	LD24
	4210, 4217S, 4217W	LD25
	4292S, 4624A, 4625 / 4625A, 4290 Series	LD26-27
	4291, 4297 Series	LD28-29
	4293, 4294 Series	LD30-31
	4638 / 4639, 4642 / 4643, 4644 / 4645	LD32
	4300 Series	LD33
	Cylinder Pull	LD34
	Spindle Series	LD35
	Fixing Back Plate, AT Series	LD36
	RK Series	LD37
	Display Wood Stand	LD38-39
	Finishes	LD40-42

## 4626 SERIES

### Euro Mortise Lock

Finishes:

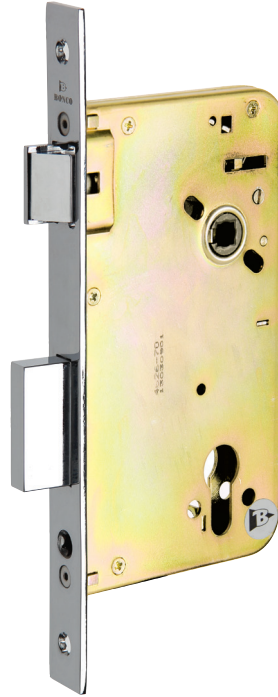
F21, F22, F91~F102,  
F91T~F108T, PVD (by request)

Backset: 60, 70mm

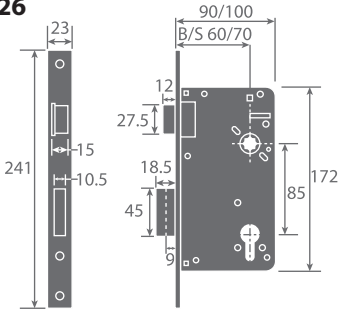
Hub: For 8mm Square Spindle

### 4626

(Passed 200,000 Cycle Test)  
(Door Hand : LH & RH)



### 4626



Dimensions in millimeters

Model No.	4626	4626-B	4626-C	4626-D	4626-P	4626-S
	Euro Entrance Mortise Lock	Euro Mortise Private Lock	Euro Mortise Dead Lock	Euro Mortise Dead Lock	Euro Mortise Passage Lock	Euro Mortise Store Room Lock
Drawing						
Function	Outside Lever    Inside Lever  Cylinder    Turn Piece	For 4.7mm Square Spindle Outside Lever    Inside Lever  Emergency    Thumb Turn	For 4.7mm Square Spindle Outside    Inside  Emergency    Thumb Turn	Outside    Inside  Cylinder    Turn Piece	Outside Lever    Inside Lever  Cylinder	Outside Dummy    Inside Lever  Cylinder
Strike Plate	 195, 3, 10, 39, 27, 72, 50, 103, 120	 10, 45, 27, 72, 50, 103, 120	 10, 27, 72, 103	 1.5, 27, 103, 123	 101, 3, 27, 81, 50, 38	 81, 27, 50, 44
	For 35~45D/T Wood Door LH/RH	For 45~55D/T Wood Door LH/RH	For Steel Door		For 35~45D/T	For 45~55D/T



# 4626-NS SERIES

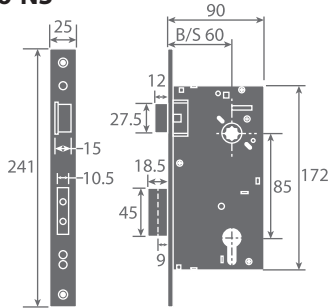
## Euro Mortise Lock

Finishes:  
F21, F22, F91~F102,  
F91T~F108T, PVD (by request)

Backset: 60mm

Hub: For 8mm Square Spindle

### 4626-NS



Dimensions in millimeters

### 4626-NS

(Passed 200,000 Cycle Test)  
(Door Hand : LH & RH)



Saw-Proof Hardened  
Steel Pins in the Deadbolt

Body 2mm  
Thickness



Model No.	4626NS	4626NS-B	4626NS-C	4626NS-D	4626NS-P	4626NS-S
	Euro Entrance Mortise Lock	Euro Mortise Private Lock	Euro Mortise Dead Lock	Euro Mortise Dead Lock	Euro Mortise Passage Lock	Euro Mortise Store Room Lock
Drawing						
Function	Outside Lever Inside Lever  Cylinder Turn Piece	Outside Lever Inside Lever  Emergency Thumb Turn For 4.7mm Square Spindle	Outside Inside  Emergency Thumb Turn For 4.7mm Square Spindle	Outside Inside  Cylinder Turn Piece	Outside Lever Inside Lever  Cylinder	Outside Dummy Inside Lever  Cylinder
Strike Plate	 195, 3, 10, 39, 27, 72, 50, 103, 120 For 35~45D/T Wood Door LH/RH	 103, 45, 27, 72, 50, 103, 120 For 45~55D/T Wood Door LH/RH	 123, 1.5, 103, 27	 101, 3, 27, 81, 50, 38, 44 For 35~45D/T For 45~55D/T	 101, 3, 27, 81, 50, 38, 44 For 35~45D/T For 45~55D/T	 101, 3, 27, 81, 50, 38, 44 For 35~45D/T For 45~55D/T

## 4650 SERIES

### Euro Mortise Lock

Finishes:

F21, F22, F91~F102,  
F91T~F108T, PVD (by request)

Backset: 60, 70mm

Hub: For 8mm Square Spindle

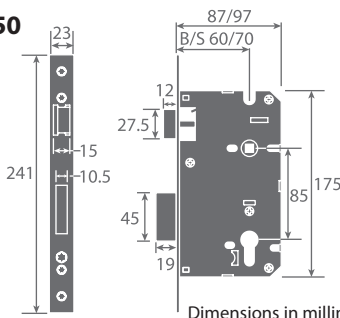
## 4650

(Passed 200,000 Cycle Test)  
(Door Hand : LH & RH)



One Action Deadbolt

### 4650



Dimensions in millimeters

4650	4650A	4650-B	4650H	4650-C	4650-D	4650-P	4650-S	4650S-H
Euro Entrance Mortise Lock	Euro Mortise Lock	Euro Mortise Private Lock	Euro Mortise Lock	Euro Mortise Dead Lock	Euro Mortise Dead Lock	Euro Mortise Passage Lock	Euro Mortise Store Room Lock	Euro Mortise Store Room Lock
For 4.7mm Square Spindle	For 4.7mm Square Spindle	For 4.7mm Square Spindle	For 4.7mm Square Spindle	For 4.7mm Square Spindle	For 4.7mm Square Spindle	For 4.7mm Square Spindle	For 4.7mm Square Spindle	For 4.7mm Square Spindle
Outside Lever Inside Lever Cylinder Turn Piece	Outside Lever Inside Lever Cylinder Turn Piece	Outside Lever Inside Lever Emergency Thumb Turn	Outside Lever Inside Lever Latchbolt Hold-back Function Button Cylinder Turn Piece	Outside Inside Emergency Thumb Turn	Outside Inside Cylinder Turn Piece	Outside Lever Inside Lever	Outside Dummy Inside Lever Cylinder (Spindle = AL)	Outside Dummy Inside Lever Hold-back Function Button Cylinder (Spindle = AL)
Operations: Open panic action by lever inside only; Cylinder or turn piece lock or unlock deadbolt only (Spindle = AR)	Operations: Open panic action by lever inside only; Cylinder or turn piece lock or unlock deadbolt only (Spindle = AR)	Operations: Open panic action by lever inside only; Cylinder or turn piece lock or unlock deadbolt only (Spindle = AR)	Operations: Hold the latchbolt by turn piece or lever then hold-back function button; Retract latchbolt by hold-back function button or turn piece.	Operations: Hold the latchbolt by turn piece or lever then hold-back function button; Retract latchbolt by hold-back function button or turn piece.	Operations: Hold the latchbolt by turn piece or lever then hold-back function button; Retract latchbolt by hold-back function button or turn piece.	Operations: Hold the latchbolt by turn piece or lever then hold-back function button; Retract latchbolt by hold-back function button or turn piece.	Operations: Hold the latchbolt by turn piece or lever then hold-back function button; Retract latchbolt by hold-back function button or turn piece.	Operations: Hold the latchbolt by turn piece or lever then hold-back function button; Retract latchbolt by hold-back function button or turn piece.
1.5 195	27 39 10 72 50 103 120	27 45 10 72 50 103 120	27 10 72 103	1.5 123 27 103	3 101 27 50 81 38	27 50 81 44	For 35~45D/T Wood Door LH/RH	For 45~55D/T Wood Door LH/RH
	For 35~45D/T Wood Door LH/RH	For 45~55D/T Wood Door LH/RH	For Steel Door			For 35~45D/T	For 45~55D/T	

# 4653 SERIES

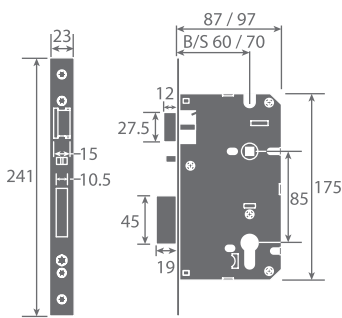
## Euro Mortise Lock

Finishes:  
F21, F22, F91~F102,  
F91T~F108T, **PVD** (by request)

Backset: 60, 70mm

Hub: For 8mm Square Spindle

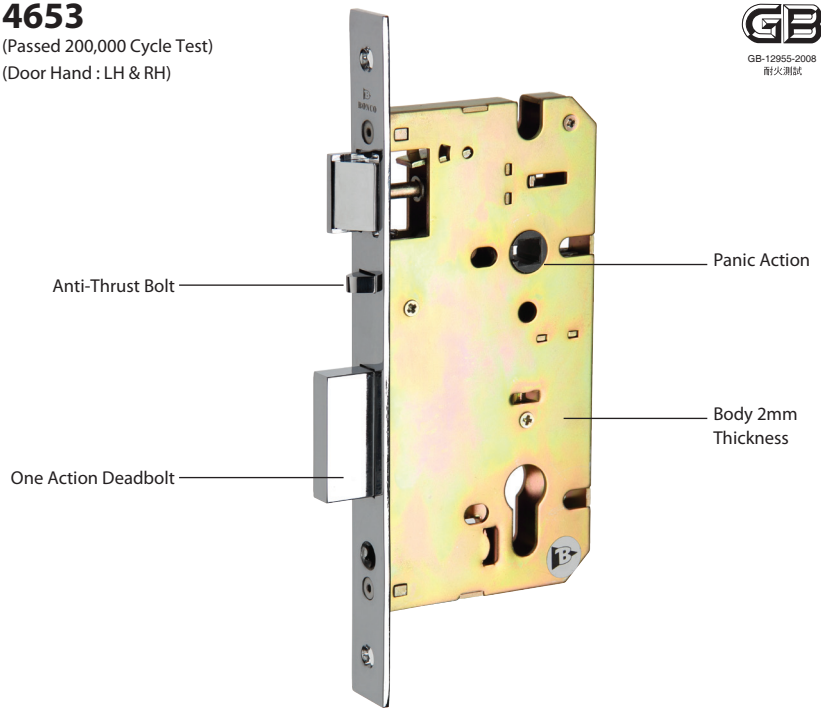
### 4653



Dimensions in millimeters

### 4653

(Passed 200,000 Cycle Test)  
(Door Hand : LH & RH)



Model No.	4653-E	4653-C	4653-S
	Euro Mortise Entrance Lock	Euro Mortise Classroom Lock	Euro Mortise Store Room Lock
Drawing		 Only <b>4653-C</b> mortise must be write down the door LH or RH on the order;  Only <b>4653-C</b> mortise used square spindle is different from others. (it's use <b>AR</b> split spindle)	
Function	<p>Outside Dummy      Inside Lever</p> <p>Operations: Lock or unlock by key outside, by turn piece inside;  Open panic action by lever inside  (spindle = AL)</p> <p>Cylinder      Turn Piece</p>	<p>Outside Lever      Inside Lever</p> <p>Operations: Outside lever lock or unlock by key;  Open by lever inside  (spindle = AR)</p> <p>Cylinder</p>	<p>Outside Dummy      Inside Lever</p> <p>Operations: Open by key outside; or by lever inside  (spindle = AL)</p> <p>Cylinder</p>
Strike Plate	 <p>For 35~45D/T Wood Door LH/RH      For 45~55D/T Wood Door LH/RH</p>	 <p>For 35~45D/T      For 45~55D/T</p>	

## ES SERIES

### Escutcheon Plates for Euro Mortise Lock

Finishes:  
F21, F22, F91~F102,  
F91T~F108T, **PVD** (by request)

Length of connecting neck part of the levers for this series is different from that of regular SB series.

This series has to be always ordered in complete set (or escutcheons and levers). The regular SB series components cannot be combined together.

Please write down the door thickness and LH/RH on the order.

#### ES004

ES004-SB201-4626



F100

#### ES005

ES005-SB207-4626



F96T

#### ES007

ES007-NL802-4650



F22

#### ES008

ES008-NL823-4650



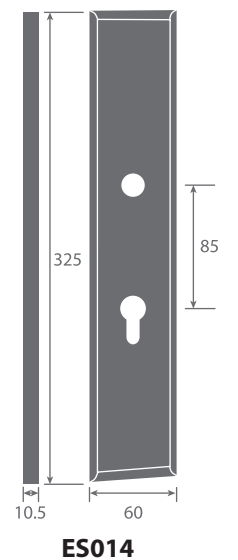
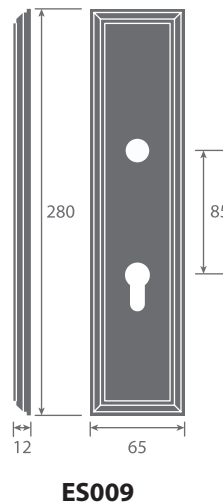
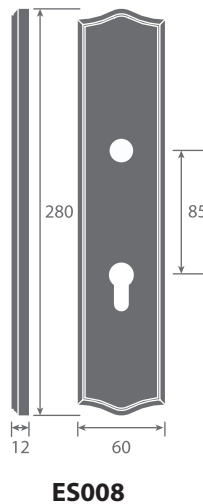
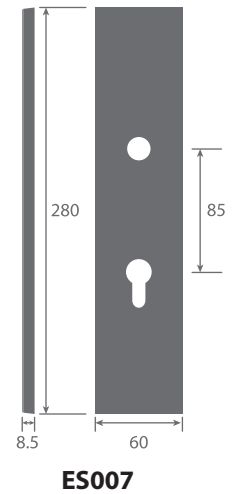
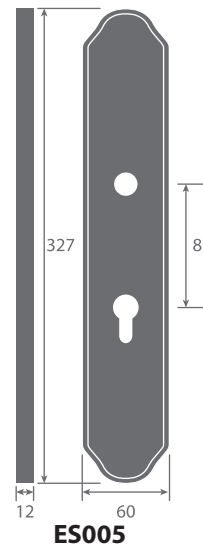
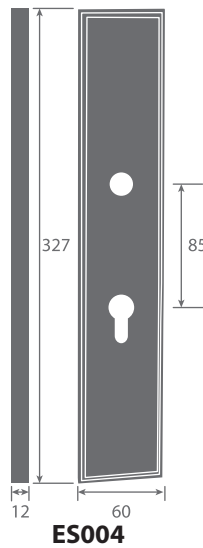
F105T



**ES SERIES**

Escutcheon Plates for  
Euro Mortise Lock

Dimensions  
in millimeters

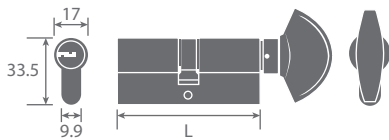


# 4622 SERIES

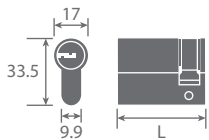
## Euro Profile Cylinders

Finishes:  
F21, F22, F91~F102,  
F91T~F108T, **PVD** (by request)

### 4622S-A-SK



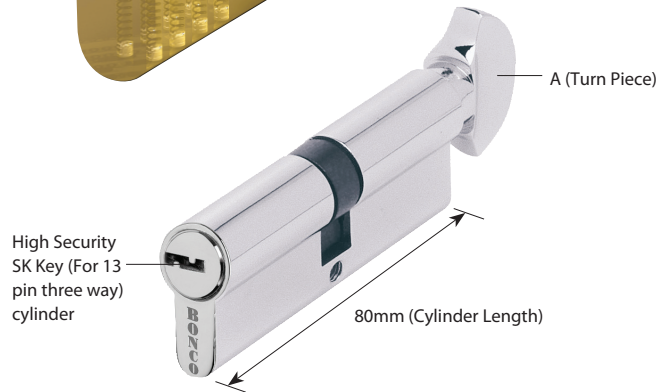
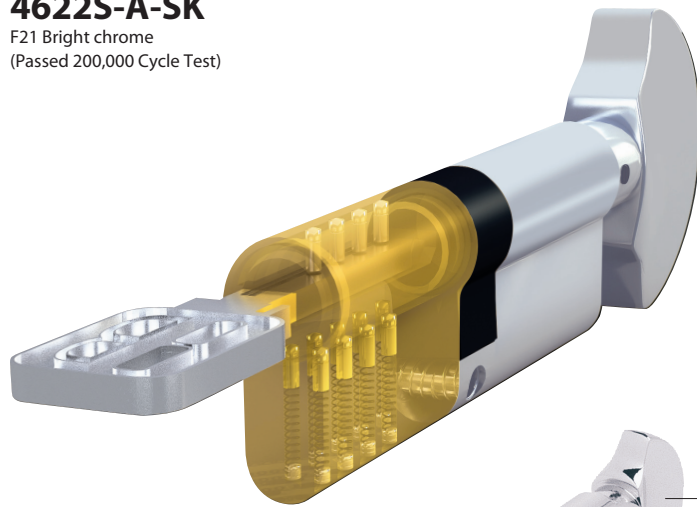
### 4622H-SK



Dimensions in millimeters

### 4622S-A-SK

F21 Bright chrome  
(Passed 200,000 Cycle Test)



## How to Order

Example: 4622 S-A-SK-80-F21

4	6	2	2	S	-	A	-	S	K	-	8	0	-	F	2	1
Function						Turn Piece		Key Type			Length			Finish		

## Function

### 4622S

Single cylinder with Turn piece



### 4622W

Double cylinder



### 4622H

Half cylinder

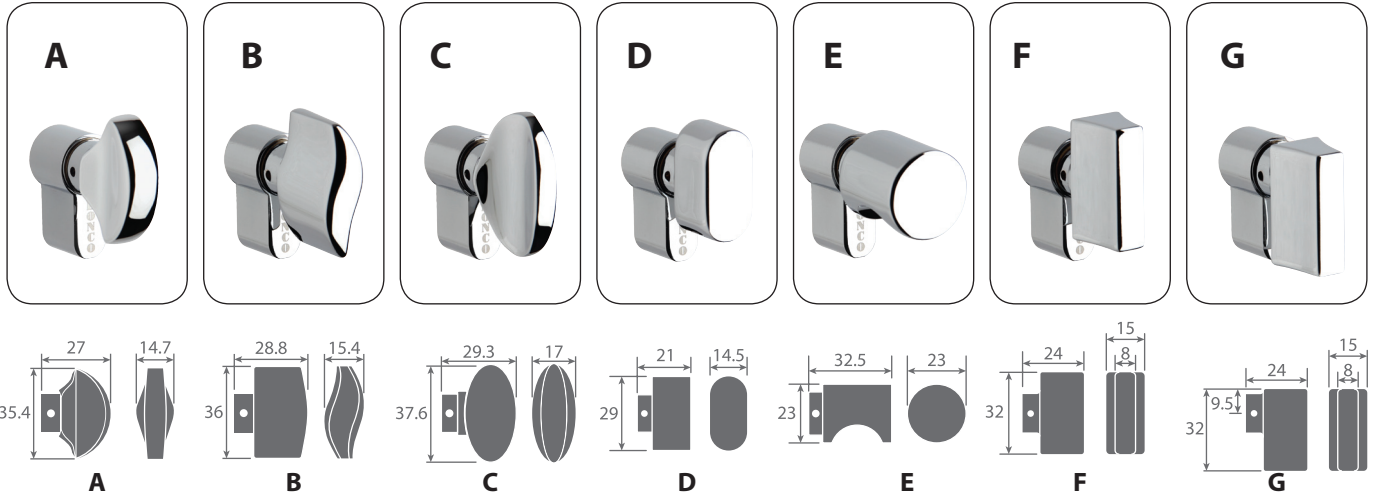


### 4622T

Emergency cylinder with Turn piece



## Turn Piece



## Key Type



## Length

Cylinder		Length (Dimensions in mm)										
		40	45	50	55	60	65	70	75	80	85	90
S	4622S					●	●	●	●	●	●	●
	4622S-NS					●	●	●	●	●	●	●
	4622S-SK						●	●	●	●	●	●
W	4622W						●	●	●	●	●	●
	4622W-NS						●	●	●	●	●	●
	4622W-SK							●	●	●	●	●
H	4622H	●	●	●	●							
	4622H-NS	●	●	●	●							
	4622H-SK	●	●	●	●							
T	4622H-T					●	●	●	●	●	●	●



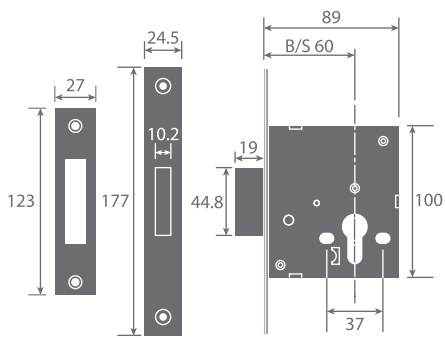
## 4651 / 4651-B

### Euro Mortise Dead Lock

Finishes:  
F21, F22, F91~F102,  
F91T~F108T

Backset: 60mm

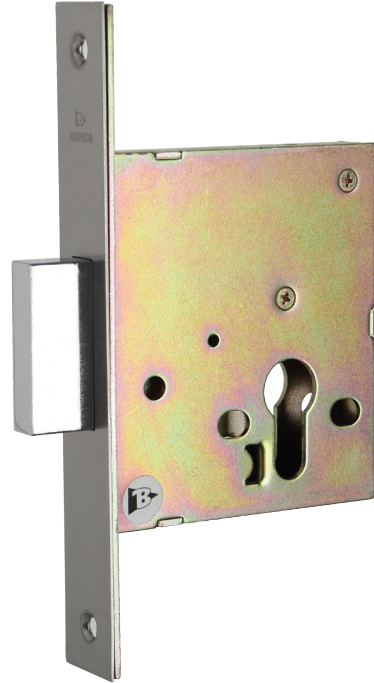
#### 4651



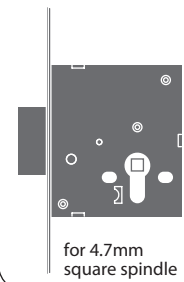
Dimensions in millimeters

#### 4651 / 4651-B

(Passed 200,000 Cycle Test)



#### 4651-B



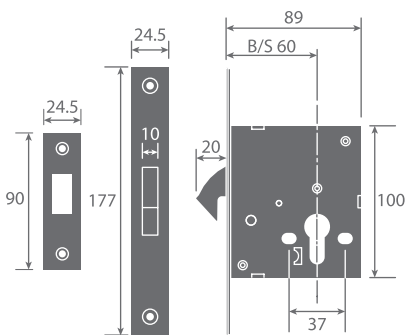
## 4652

### Euro Mortise Hook Lock

Finishes:  
F21, F22, F91~F102,  
F91T~F108T

Backset: 60mm

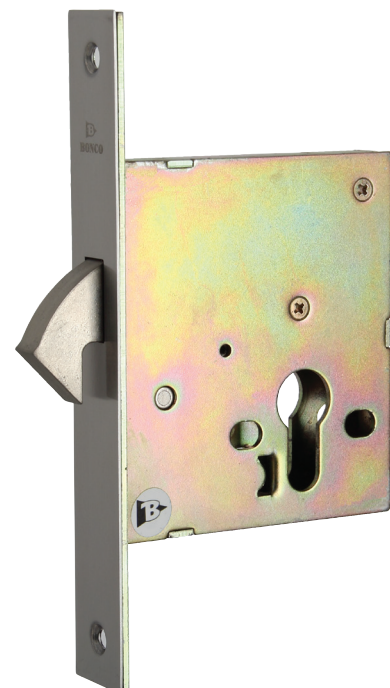
#### 4652



Dimensions in millimeters

#### 4652

(Passed 200,000 Cycle Test)



## 4635 SERIES

Thumb Turn

Spindle: 4.7mm Square

Finishes:

F21, F22, F91~F102, F91T~F108T

Use for mortise lock: 4626-B, 4626-C, 4626NS-B, 4626NS-C, 4650-B, 4650-C, 4651-B



## 4648A SERIES

Thumb Turn

Spindle: 4.7mm Square

Finishes:

F21, F22, F91~F102, F91T~F108T

Use for mortise lock: 4626-B, 4626-C, 4626NS-B, 4626NS-C, 4650-B, 4650-C, 4651-B



## 4648H SERIES

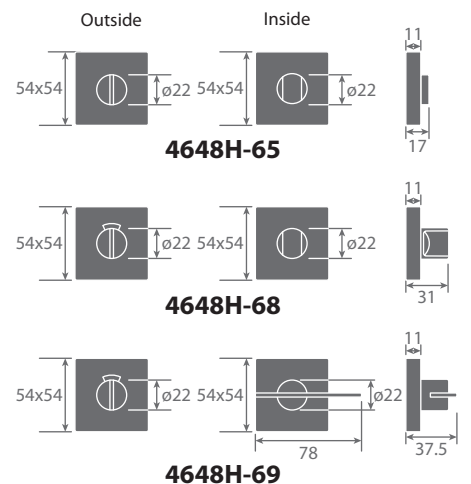
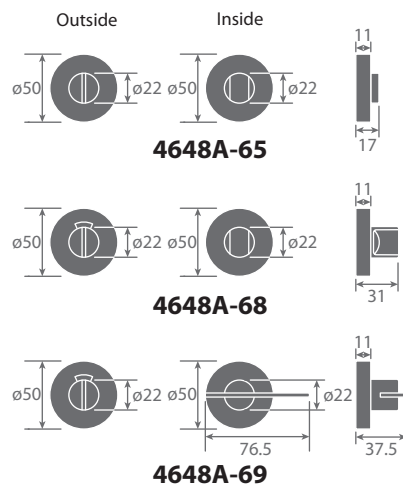
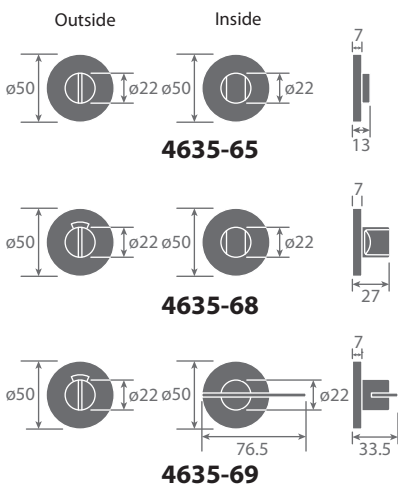
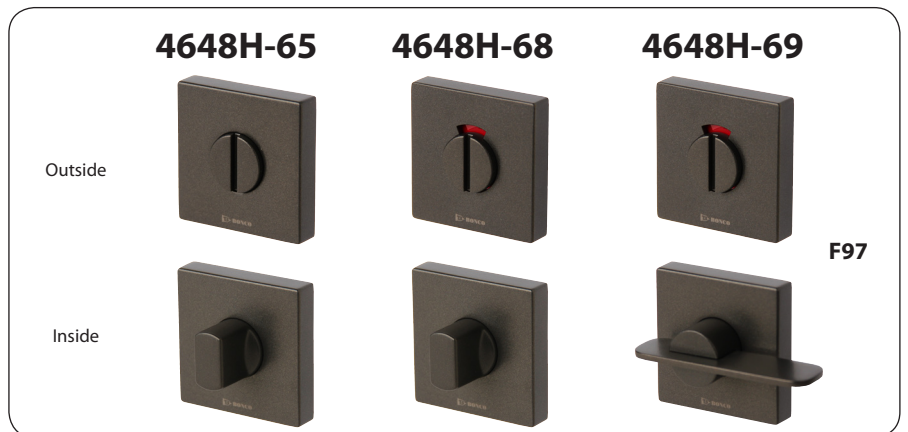
Thumb Turn

Spindle: 4.7mm Square

Finishes:

F21, F22, F91~F102, F91T~F108T

Use for mortise lock: 4626-B, 4626-C, 4626NS-B, 4626NS-C, 4650-B, 4650-C, 4651-B



## CL SERIES

### Lever Type Mortise Locks

Finishes:

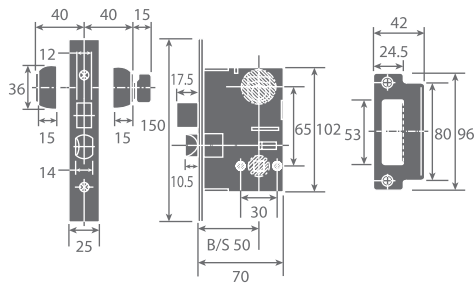
F16, F21, F22, F91~F102,  
F91T~F108T

Backset: 50mm

Door Thickness: 35~50mm

Hub: For 8mm Square Spindle

#### CL-05



Dimensions in millimeters

#### CL-05

(5-Pin Key Single Cylinder With Thumb turn)

(Passed 200,000 Cycle Test)



5-Pin Key



Outside



Inside

## CLQ SERIES

### Lever Type Mortise Locks

Finishes:

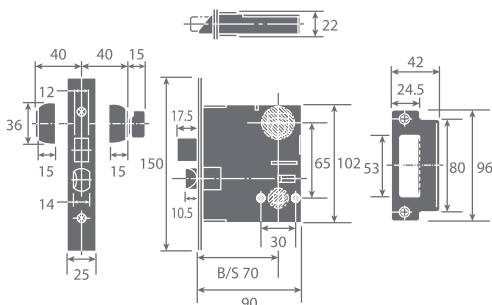
F16, F21, F22, F91~F102,  
F91T~F108T

Backset: 70mm

Door Thickness: 35~50mm

Hub: For 8mm Square Spindle

#### CLQ-05



Dimensions in millimeters

#### CLQ-05

(5-Pin Key Single Cylinder With Thumb turn)

(Passed 200,000 Cycle Test)



5-Pin Key



Outside



Inside

# CLS SERIES

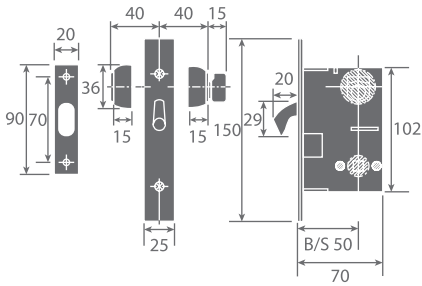
## Sliding Door Mortise Locks

Finishes:  
F16, F21, F22, F91~F102,  
F91T~F108T

Backset: 50mm

Door Thickness: 35~50mm

### CLS-05



Dimensions in millimeters

### CLS-05

(5-Pin Key Single Cylinder With Thumb turn)

(Passed 200,000 Cycle Test)



05 (5-Pin Key)



Outside



Inside

# LL SERIES

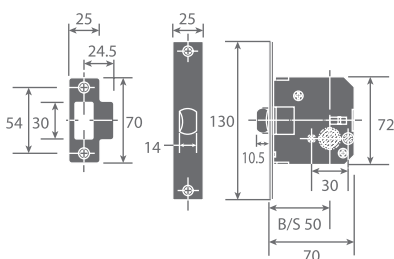
## Lever Type Mortise Locks

Finishes:  
F16, F21, F22, F91~F102,  
F91T~F108T

Backset: 50mm

Hub: For 8mm Square Spindle

### LL 15



Dimensions in millimeters

### LL 15

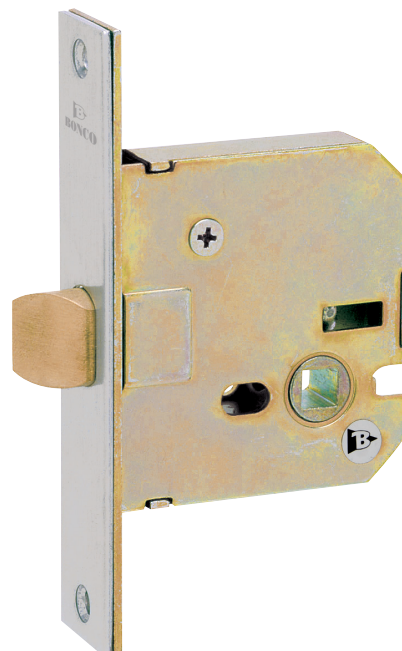
(Passed 200,000 Cycle Test)



BS 5872:1980



BS 4951:1973





**CL Series**



**CLQ Series**



**CLS Series**



**LL Series**

## Function Chart

Location	Function No.	External Apperances		Operations	Series			
		Outside	Inside		CL	CLQ	CLS	LL
Storeroom	04	Cylinder Lever Rigid	Thumb turn Rigid Lever	Latchbolt by key outside, by thumb turn inside. Both lever is rigid.	●	●		
Entrance	04L	Cylinder Lever Rigid	Lever	Latchbolt by lever inside, by key from outside.	●	●		
Entrance	05	Cylinder Lever	Thumb turn Lever	Latchbolt by levers both sides. Deadbolt by key outside, by thumb turn inside. CLS (Hook Bolt by key outside, by Thumb turn inside)	●	●	●	
Entrance	26	Cylinder Lever	Cylinder Lever	Latchbolt by levers both sides. Deadbolt by key both sides. CLS (Hook Bolt by key bothside)	●	●	●	
Storeroom	35	Cylinder Casement	Casement	Latchbolt by casement both sides. Deadbolt by key outside only. CLS (Hook Bolt by key outside only)	●	●	●	
Patio or Exit	63	Lever	Thumb turn Lever	Latchbolt by levers both sides. Deadbolt by thumb turn inside only. CLS (Hook Bolt by Thumb turn inside only)	●	●	●	
Privacy	65	Emergency Lever	Thumb turn Lever	Latchbolt by levers both sides. Deadbolt by thumb turn inside and emergency key or coin outside. CLS (Hook Bolt by Emergency Key or Coin outside, by Thumb turn inside)	●	●	●	
Passage	15	Lever	Lever	Latchbolt by lever both sides.	●	●		●



# CL/CLQ-2H SERIES

Casement Handles Locks

Standard Finish:  
F24

Backset: 50, 70mm

Door Thickness: 35~50mm

**CL/CLQ-2H**  
(Passed 200,000 Cycle Test)



(Both side casement handles to use surface fixing)

## 05

(5-Pin Key Single Cylinder With Thumb turn)



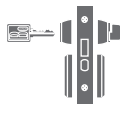
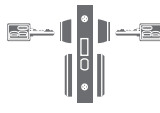
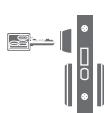



5-Pin Key



Outside



Inside

Location	Function No.	External Apperances		Operations
		Outside	Inside	
Entrance	05	Cylinder  Casement	Thumb turn  Casement	Latchbolt by casement both sides. Deadbolt by key outside, by thumb turn inside.
Entrance	26	Cylinder  Casement	Cylinder  Casement	Latchbolt by casement both sides. Deadbolt by key both sides.
Storeroom	35	Cylinder  Casement	Casement	Latchbolt by casement both sides. Deadbolt by key outside only.
Patio or Exit	63	Casement 	Thumb turn  Casement	Latchbolt by casement both sides. Deadbolt by thumb turn inside only.
Privacy	65	Emergency  Casement	Thumb turn  Casement	Latchbolt by casement both sides. Deadbolt by thumb turn inside and emergency key or coin outside.
Passage	15	Casement 	Casement	Latchbolt by casement both sides.

## 4220 SERIES

Sliding Door Hook Lock  
Concealed Screw

Finishes:  
F21, F22, F91~F102,  
F91T~F108T

Backset: 60mm

Door Thickness: 35~50mm

### 4220-05

(Passed 200,000 Cycle Test)

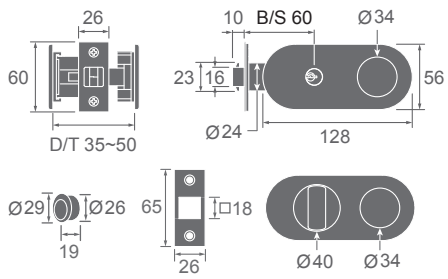


5-Pin Key



F21

### 4220



Dimensions in millimeters

### FUNCTION

#### 4220-05



Outside



Inside

F91

#### 4220-65



Outside



Inside

F91

#### 4220-Dummy



Outside



Inside

F91

## 4221 SERIES

Sliding Door Hook Lock  
Concealed Screw

Finishes:  
F21, F22, F91~F102,  
F91T~F108T

Backset: 60mm

Door Thickness: 35~50mm

### 4221-05

(Passed 200,000 Cycle Test)

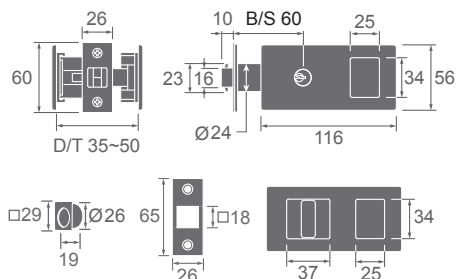


5-Pin Key



F22

### 4221



Dimensions in millimeters

### FUNCTION

#### 4221-05



Outside



Inside

F102

#### 4221-65



Outside



Inside

F102

#### 4221-Dummy



Outside



Inside

F102



# 4222 SERIES

Sliding Door Hook Lock  
Concealed Screw

Finishes:  
F91~F102, F91T~F108T

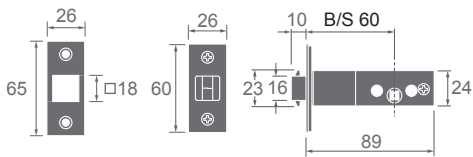
Backset: 60mm

Door Thickness: 35~55mm

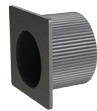
**4222** **PATENTED**  
(Passed 200,000 Cycle Test)



## Latch

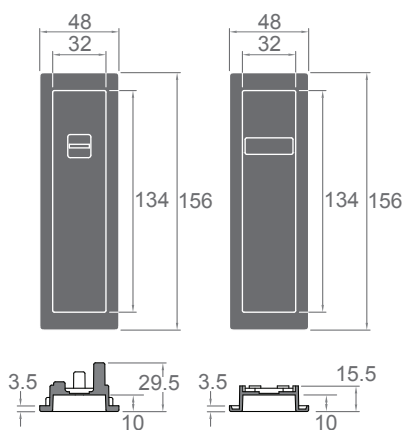
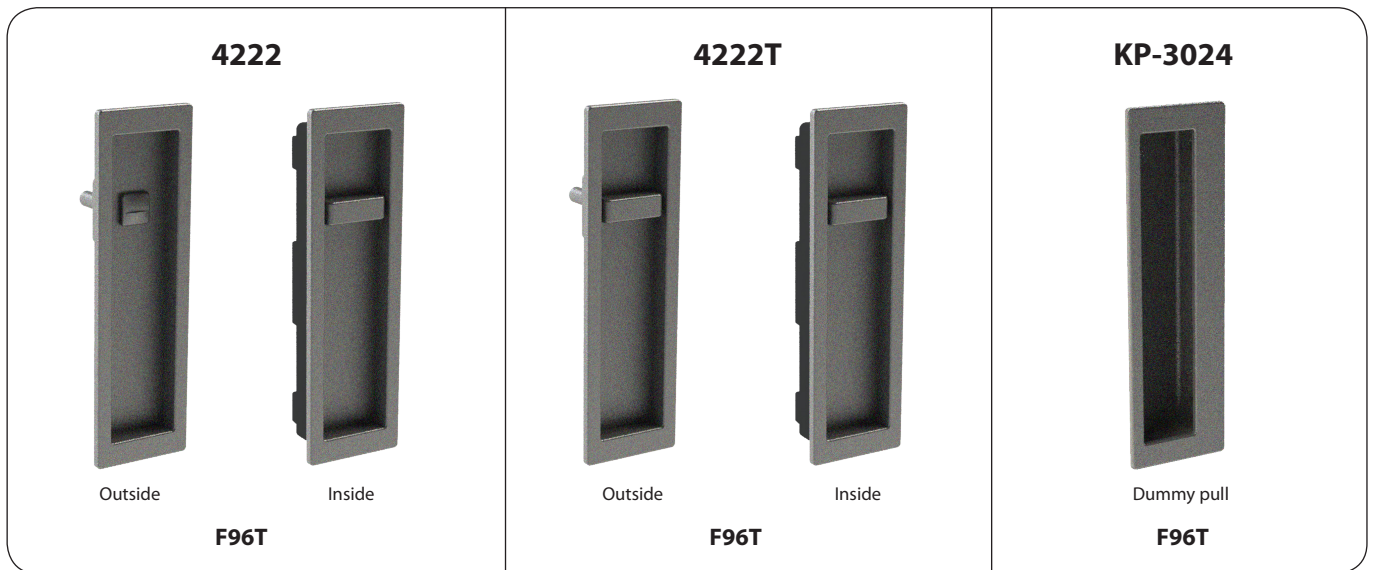


Dimensions in millimeters

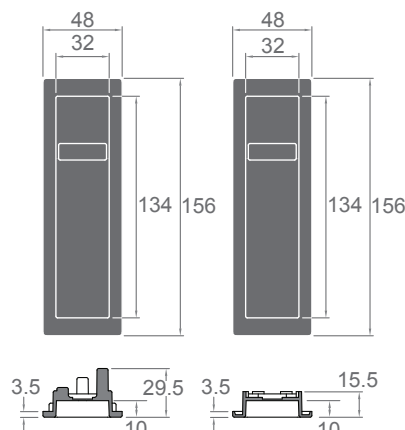


F96T

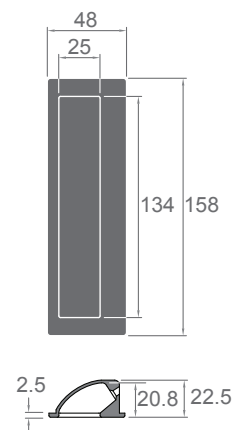
## FUNCTION



4222



4222T



KP-3024

# 4222E

## Sliding Door Hook Lock

Finishes:

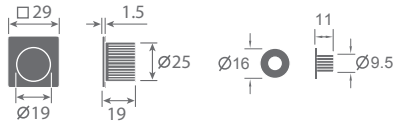
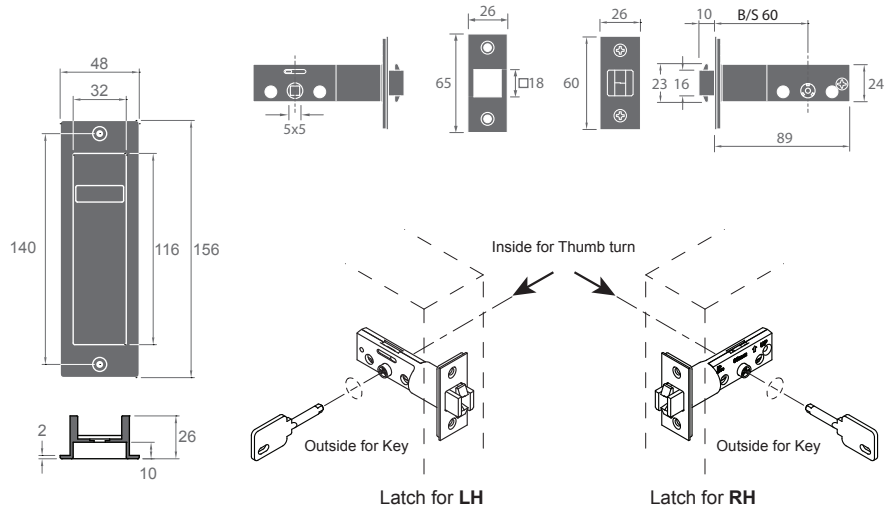
F91~F102, F91T~F108T

Backset: 60mm

Door Hand: LH or RH

Door Thickness: 35~55mm

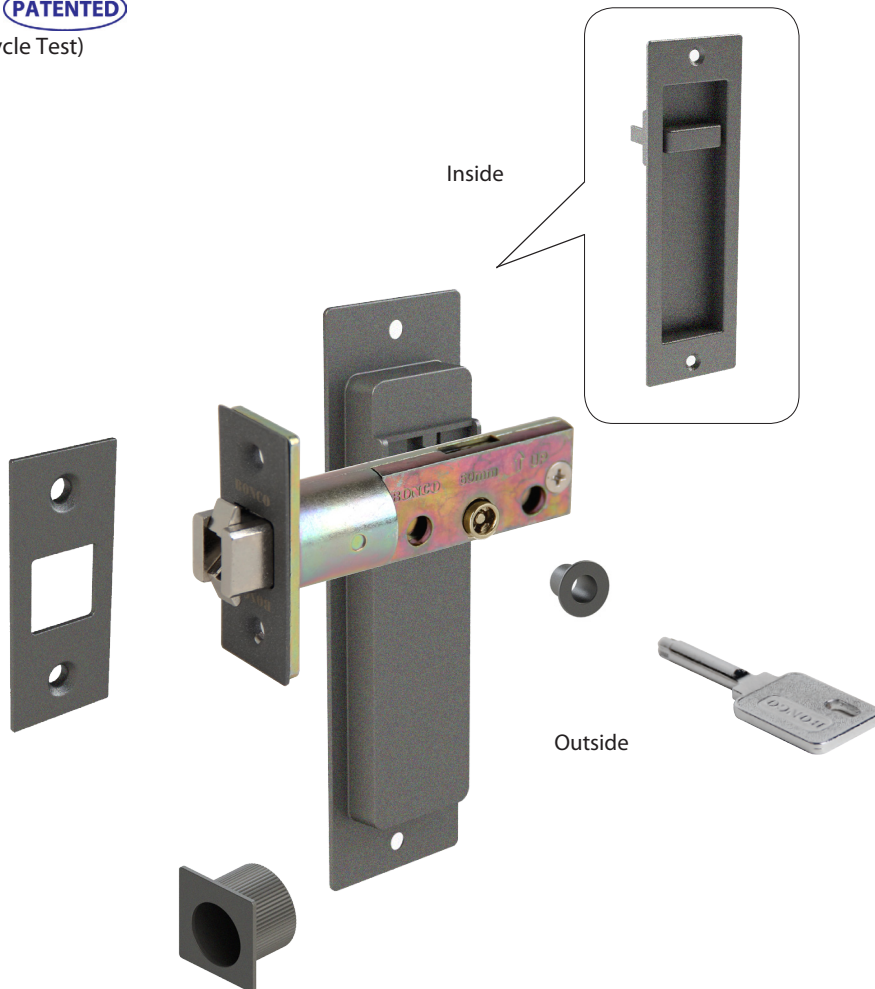
### 4222E - LH / RH



### 4222E-RH

**PATENTED**

(Passed 200,000 Cycle Test)



F96T

# 4223 SERIES

Concealed Screw  
Sliding Door Bolt

Finishes:

F91~F102, F91T~F108T

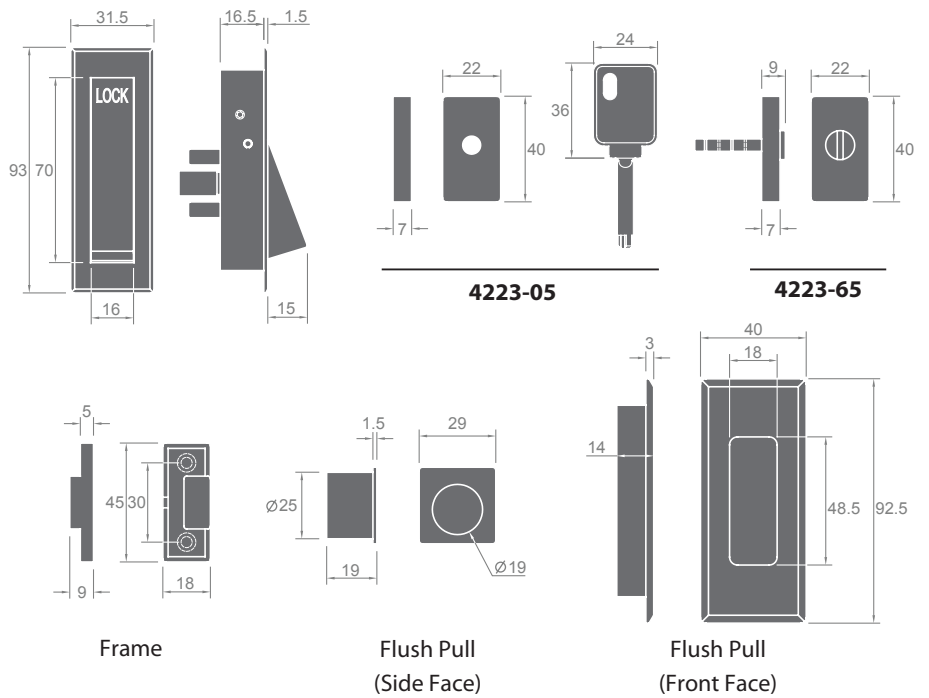
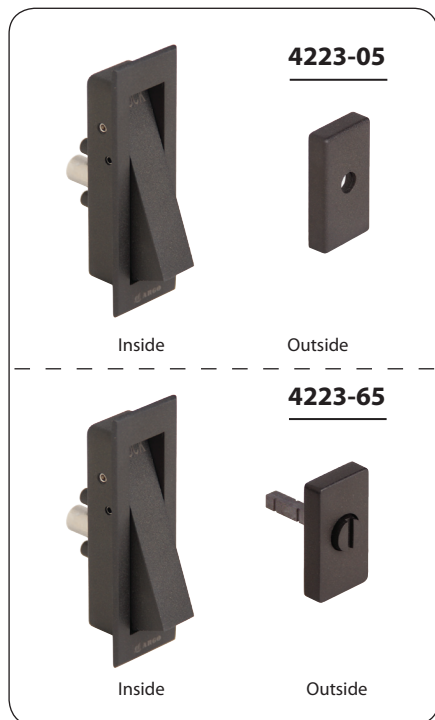
Door Thickness: 35~55mm

4223-05 **PATENTED**

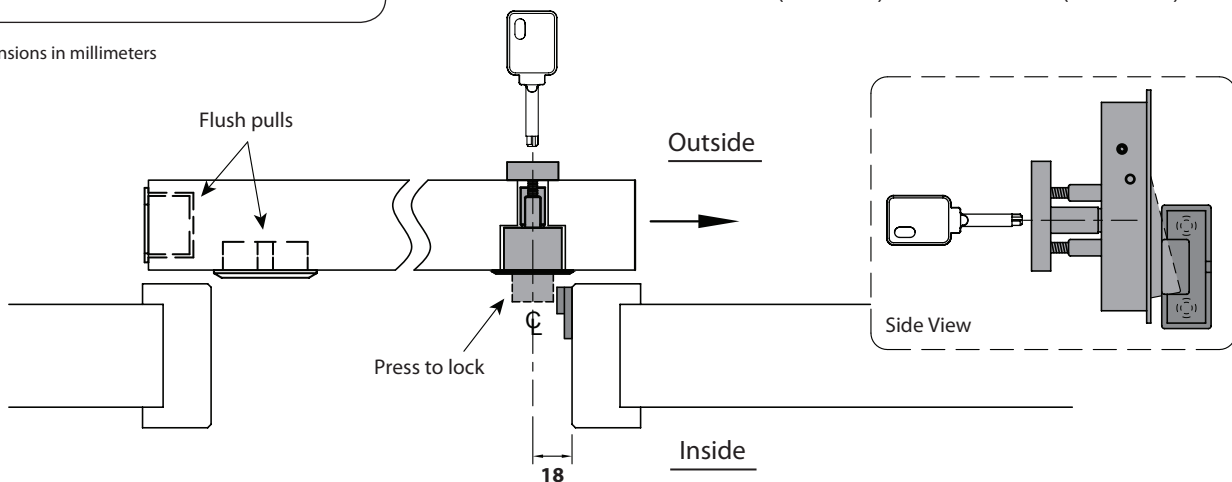


F97T

## FUNCTION



Dimensions in millimeters



## 4213C SERIES

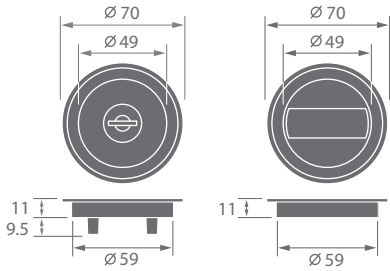
Sliding Door Hook Lock

Finishes:  
F21, F22, F91~F102,  
F91T~F108T

Door Thickness: 35~55mm  
(Passed 200,000 Cycle Test)

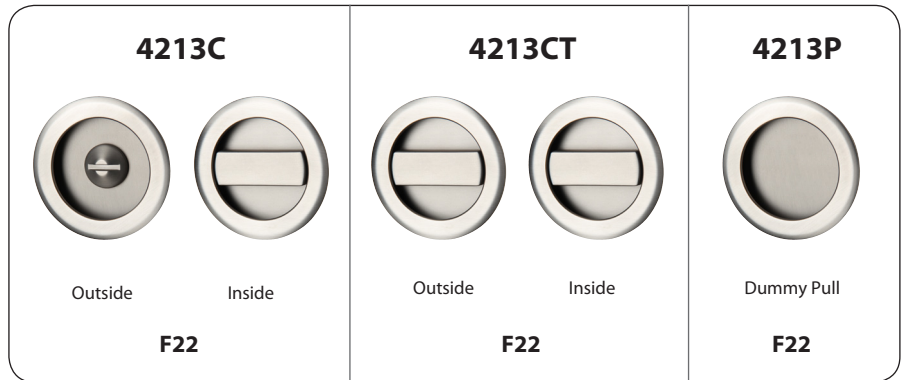


### 4213C



Dimensions in millimeters

### FUNCTION

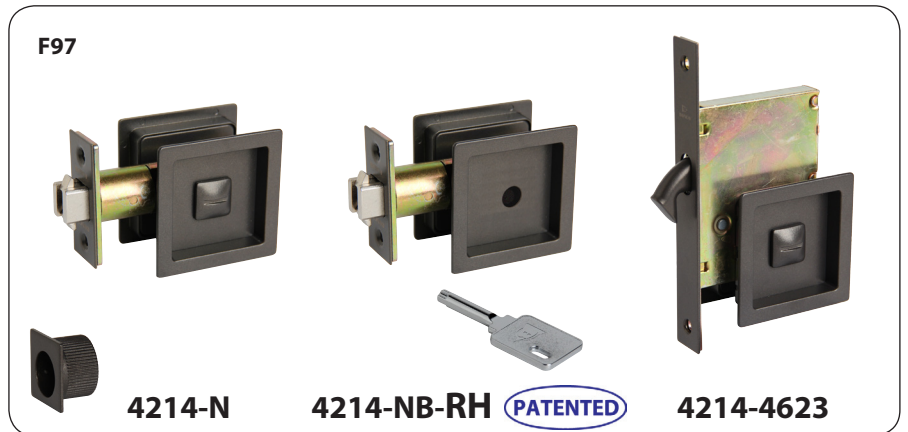


## 4214 SERIES

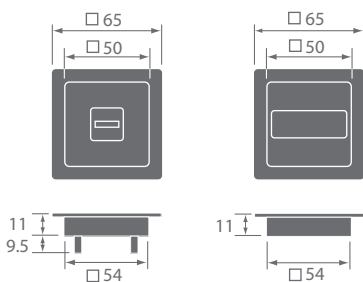
Sliding Door Hook Lock

Finishes:  
F21, F22, F91~F102,  
F91T~F108T

Door Thickness: 35~55mm  
(Passed 200,000 Cycle Test)



### 4214



Dimensions in millimeters

### FUNCTION

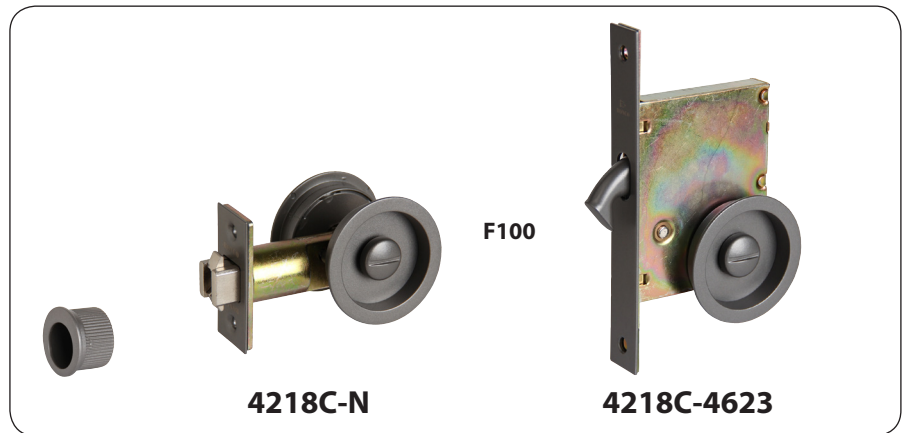


## 4218C SERIES

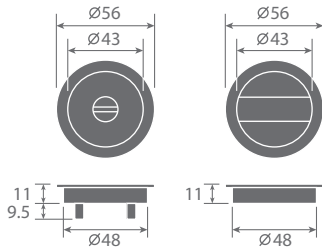
### Sliding Door Hook Lock

Finishes:  
F21, F22, F91~F102,  
F91T~F108T

Door Thickness: 35~55mm  
(Passed 200,000 Cycle Test)



#### 4218C



Dimensions in millimeters

#### FUNCTION

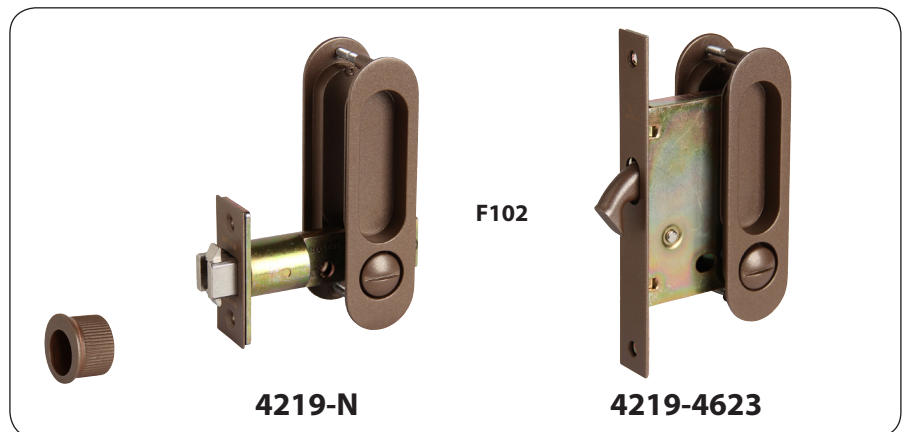


## 4219 SERIES

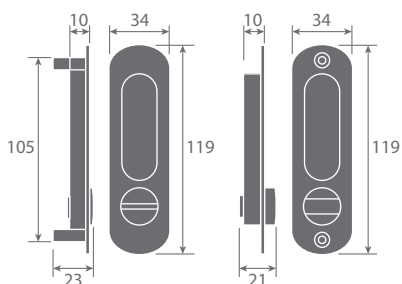
### Sliding Door Hook Lock

Finishes:  
F21, F22, F91~F102,  
F91T~F108T

Door Thickness: 35~55mm  
(Passed 200,000 Cycle Test)

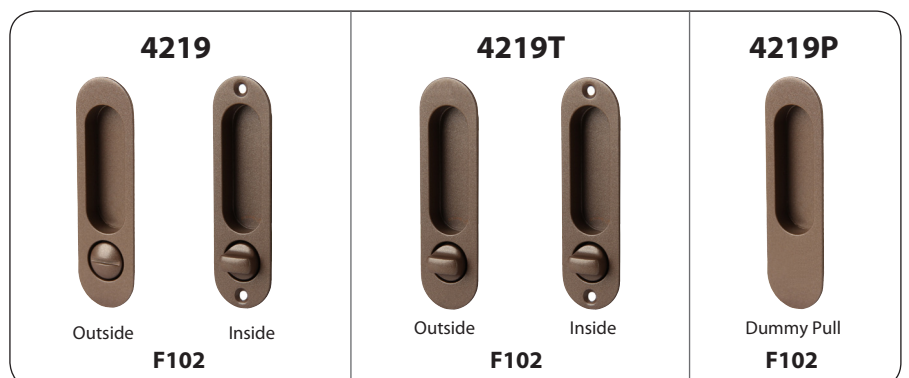


#### 4219



Dimensions in millimeters

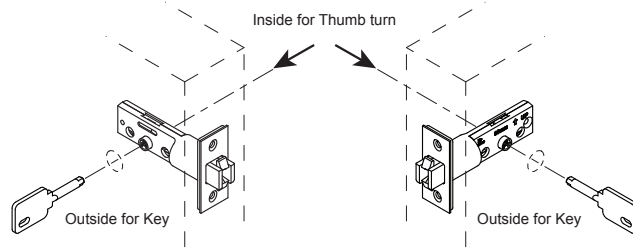
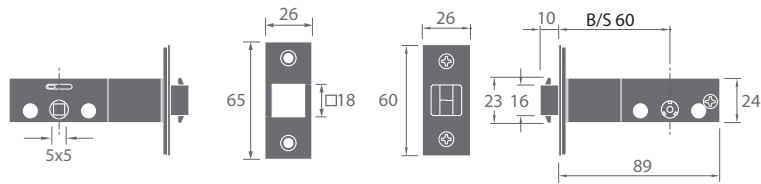
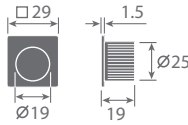
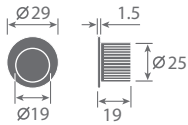
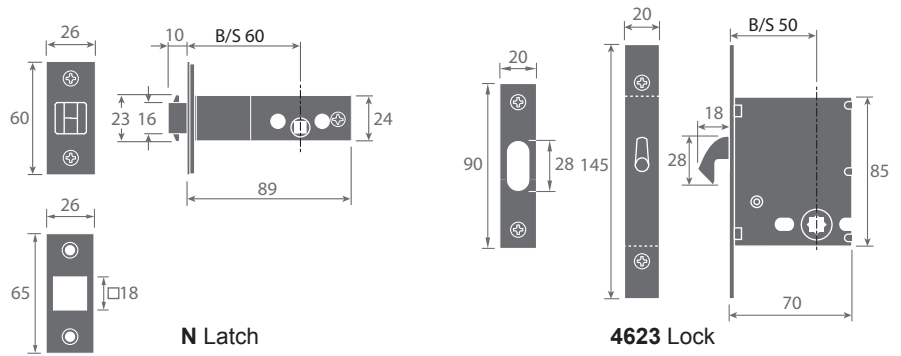
#### FUNCTION



## N Latch & 4623 Lock

Sliding Door Hook Lock

Dimensions in millimeters



NB Latch for LH

NB Latch for RH

## 4326NT

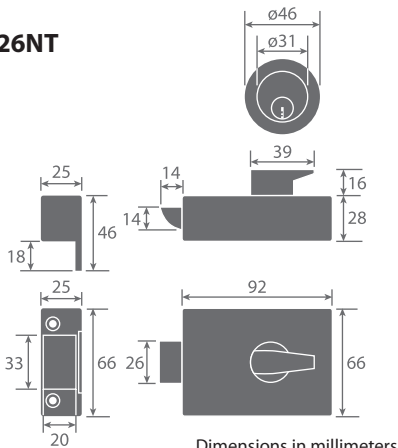
Rim Night Latch

Standard Finish: F72

Backset: 60mm

Door Thickness: 35~55mm

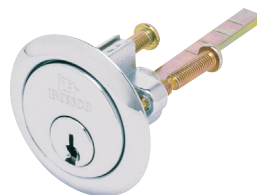
4326NT



Dimensions in millimeters

## 4326NT

(Passed 200,000 Cycle Test)



5-Pin Key



## 4210

### Single Casement Handle

Finishes:  
F16, F21, F22

Material: Solid Brass

Hub: For 8mm Square Spindle

## 4210



## 4217S

### Single Casement Handle

Standard Finish:  
F24

Material: Stainless Steel

Hub: For 8mm Square Spindle

## 4217S



## 4217W

### Casement Handle & Latch

Standard Finish: F24

Material: Stainless Steel

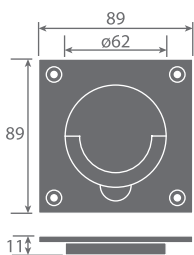
Backset: 60, 70mm

Door Thickness: 35~55mm

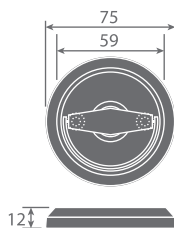
Hub: For 8mm Square Spindle

## 4217W

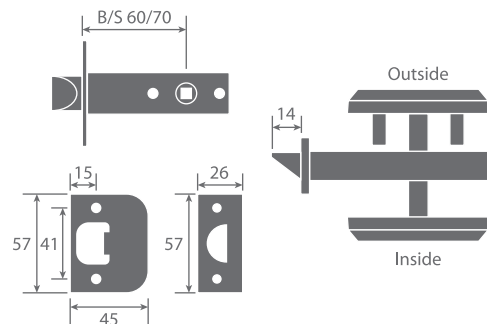
(Passed 200,000 Cycle Test)



4210



4217S



4217W

Dimensions in millimeters





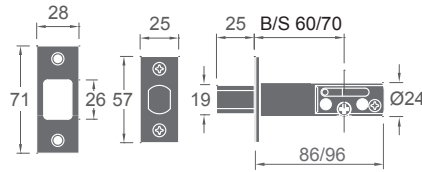
# 4290 SERIES

## Tubular Deadlock

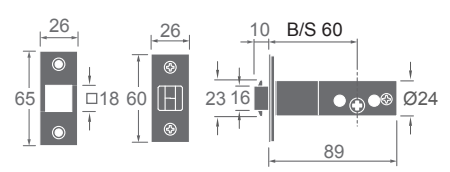
**Finishes:** F24, F25, F91~F102, F91T~F108T, **PVD** (by request)

**Backset:** 60, 70mm  
(N LATCH 60mm B/S **Only**)

**Door Thickness:** 35~55mm  
(Passed 200,000 Cycle Test)



**Dead Lock**



**N Latch** **NEW**

### Single Cylinder Tubular Deadlock



**4290-05**



5-Pin Key

**4290N-05** **NEW**



**F94T**

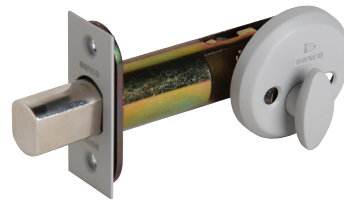


### Tubular Deadlock



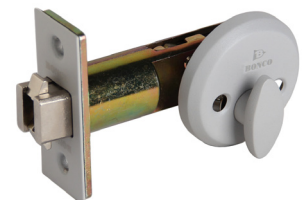
Inside

**4290-63**



**F94T**

**4290N-63** **NEW**



### Tubular Deadlock with Emergency Release



Outside

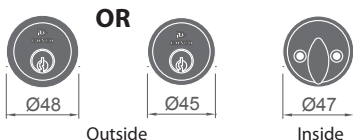
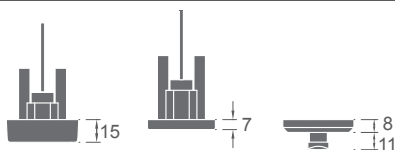
Inside

**4290-65**



**F94T**

**4290N-65** **NEW**



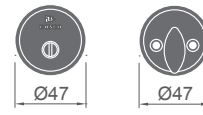
Outside Inside

**4290/4290N -05**



Inside

**4290/4290N -63**



Outside Inside

**4290/4290N -65**

## 4291 SERIES

### Tubular Deadlock

#### Finishes:

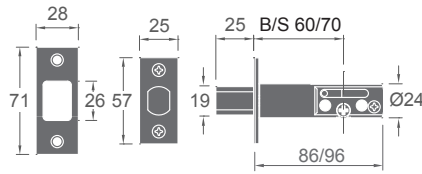
F21, F22, F91~F102, F91T~F108T

**Backset:** 60, 70mm

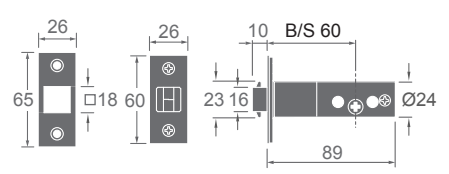
(N LATCH 60mm B/S **Only**)

**Door Thickness:** 35~55mm

(Passed 200,000 Cycle Test)



**Dead Lock**



**N Latch** NEW

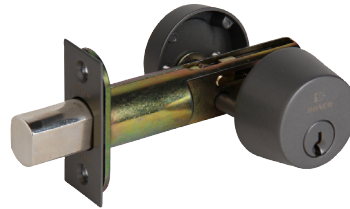
#### Single Cylinder Tubular Deadlock



Outside

Inside

**4291-05**



5-Pin Key

**F100**

**4291N-05** NEW



#### Tubular Deadlock



Inside

**4291-63**



**F100**

**4291N-63** NEW



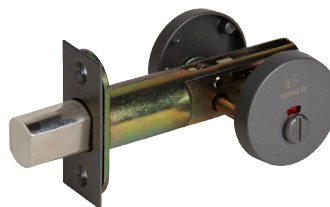
#### Tubular Deadlock with Emergency Release



Outside

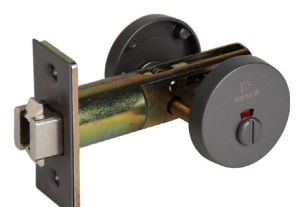
Inside

**4291-68**

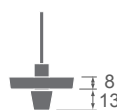


**F100**

**4291N-68** NEW



**4291/4291N -05**



**4291/4291N -63**



**4291/4291N -68**

Dimensions in millimeters

# 4297 SERIES

## Tubular Deadlock

### Finishes:

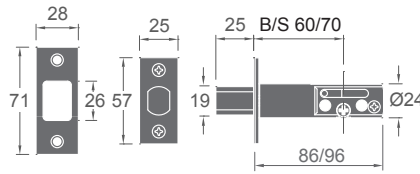
F21, F22, F91~F102, F91T~F108T

Backset: 60, 70mm

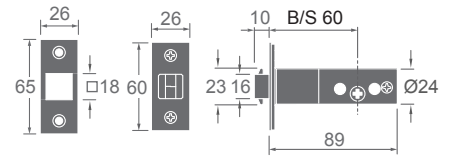
(N LATCH 60mm B/S Only)

Door Thickness: 35~55mm

(Passed 200,000 Cycle Test)



Dead Lock



N Latch **NEW**

### Single Cylinder Tubular Deadlock

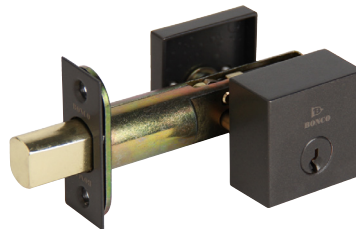


Outside



Inside

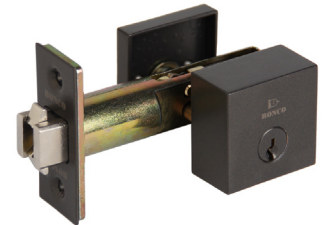
4297-05



5-Pin Key

F97

4297N-05 **NEW**

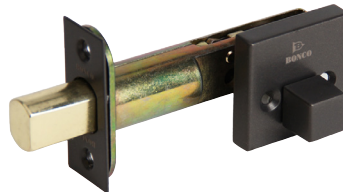


### Tubular Deadlock



Inside

4297-63



F97

4297N-63 **NEW**



### Tubular Deadlock with Emergency Release

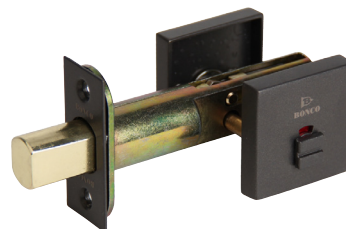


Outside



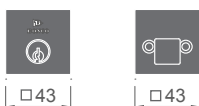
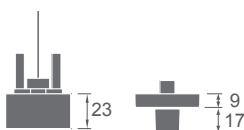
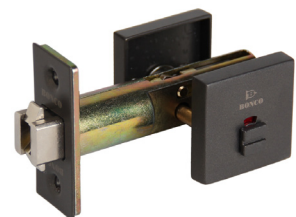
Inside

4297-68

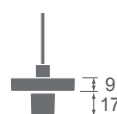


F97

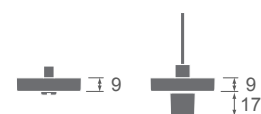
4297N-68 **NEW**



4297/4297N -05



4297/4297N -63



4297/4297N -68

## 4293 SERIES

Concealed Screw  
Tubular Deadlock

**Finishes:**

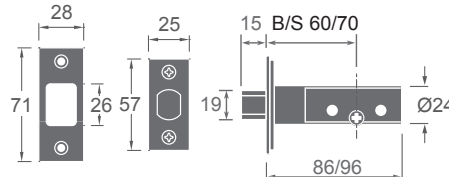
F21, F22, F91~F102, F91T~F108T

**Backset:** 60, 70mm

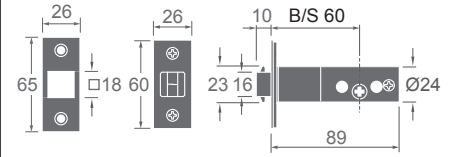
(N LATCH 60mm B/S Only)

**Door Thickness:** 35~55mm

(Passed 200,000 Cycle Test)



Dead Lock



N Latch **NEW**

Single Cylinder Tubular Deadlock

4293-05

4293N-05 **NEW**



Outside

Inside



F102



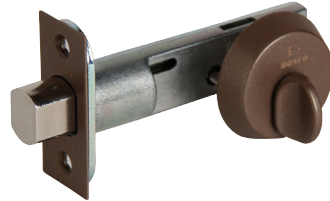
Tubular Deadlock

4293-63

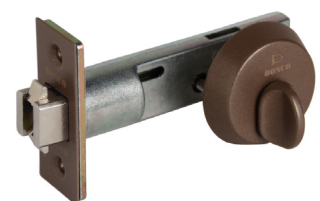
4293N-63 **NEW**



Inside



F102



Tubular Deadlock with Emergency Release

4293-68

4293N-68 **NEW**

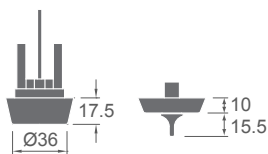
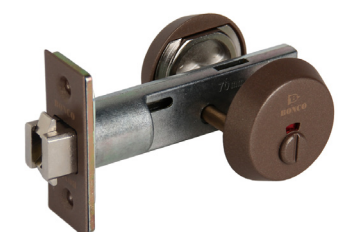


Outside

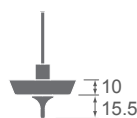
Inside



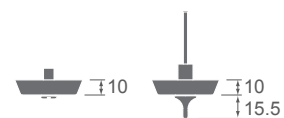
F102



4293/4293N -05



4293/4293N -63



4293/4293N -68

Dimensions in millimeters



# 4294 SERIES

Concealed Screw  
Tubular Deadlock

**Finishes:**

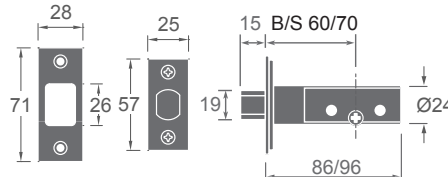
F21, F22, F91~F102, F91T~F108T

**Backset:** 60, 70mm

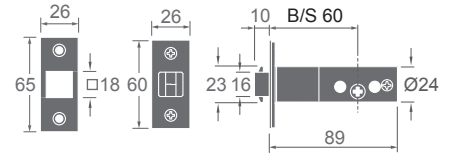
(N LATCH 60mm B/S **Only**)

**Door Thickness:** 35~55mm

(Passed 200,000 Cycle Test)



**Dead Lock**



**N Latch** NEW

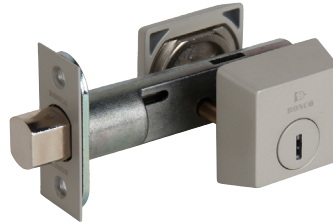
Single Cylinder Tubular Deadlock



Outside

Inside

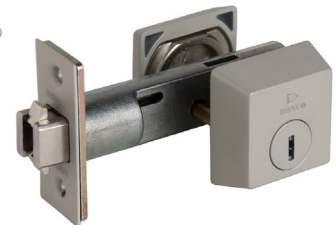
**4294-05**



F99



**4294N-05** NEW



Tubular Deadlock



Inside

**4294-63**



F99

**4294N-63** NEW



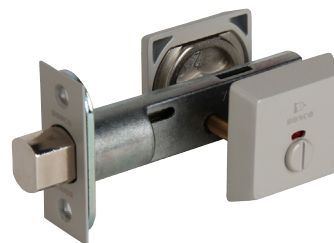
Tubular Deadlock with Emergency Release



Outside

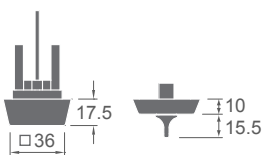
Inside

**4294-68**

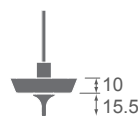


F99

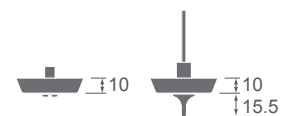
**4294N-68** NEW



**4294/4294N -05**



**4294/4294N -63**



**4294/4294N -68**

## 4638 / 4639

### Indicating Bolts

Finishes:  
F24, F25, F91~F102,  
F91T~F108T

Backset: 40mm

Door Thickness: 35~50mm

**4638** (Emergency Release Dead Bolt)

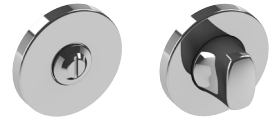
**4639** (Emergency Release Dead Bolt with Indicator)

(Passed 200,000 Cycle Test)

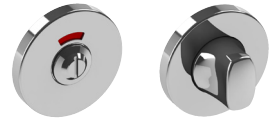


F25

4638



4639



Outside

Inside

## 4642 / 4643

### Indicating Bolts

Finishes:  
F24, F25, F91~F102,  
F91T~F108T

Backset: 40mm

Door Thickness: 35~50mm

**4642** (Emergency Release Dead Bolt)

**4643** (Emergency Release Dead Bolt with Indicator)

(Passed 200,000 Cycle Test)



F24

4642



4643



Outside

Inside

## 4644 / 4645

### Indicating Bolts

Finishes:  
F24, F25, F91~F102,  
F91T~F108T

Backset: 40mm

Door Thickness: 35~50mm

**4644** (Emergency Release Dead Bolt)

**4645** (Emergency Release Dead Bolt with Indicator)

(Passed 200,000 Cycle Test)



F91

4644

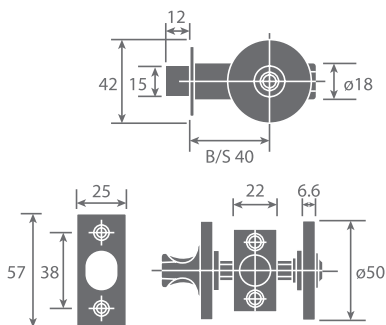


4645

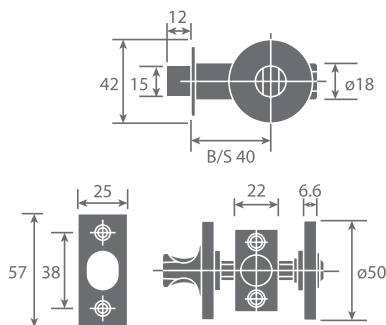


Outside

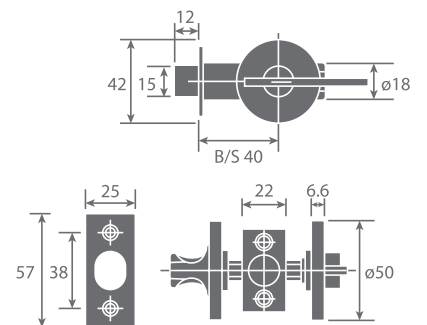
Inside



4638/4639



4642/4643



4644/4645

Dimensions in millimeters



## 4300 SERIES

Auto Locking System  
(Panic release action)

Standard Finishes:

F91~F102, F91T~F108T

Door Thickness: 35~60mm

We are proudly introducing our 4300 series security locks here. Mortise part of the exterior component can be placed into the existing door hole of the cylindrical lockset easily. This unit is quite attractive for replacement to the cylindrical lockset particularly. With our 4300 series locks, you can easily upgrade the security and image to your entry doors. Choose simple design, artistic design, elegant design, and much more.

Even when the door is locked, you can open the door anytime with one action of the inside lever and exit with Panic Action.

Note: The model 4309 is the only one without auto locking. Locking and unlocking by key from outside, with turn-piece from inside.

### 4309 **PATENTED**



13-pin three way key



F97



### 4311 **PATENTED**



13-pin three way key



F96T



### Ball Catch at the edge to stable the door

Each set is supplied with the quality Ball Catch to stable the door shutting at proper position.



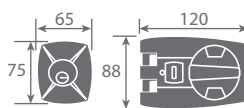
F96T



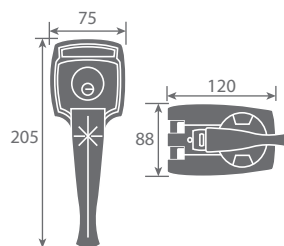
## 4300 SERIES

Auto Locking System  
(Panic release action)

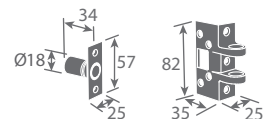
Dimensions  
in millimeters



4309



4311



Ball Catch

# CYLINDER PULL

Finishes:

F24, F25, F91~F102,

F91T~F108T, PVD (by request)

**CP32**



**CP33-13**



**CP33-12**



**CP33-15**



**CP35-31**

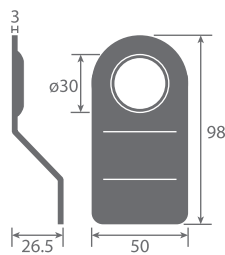


**CP35-33**

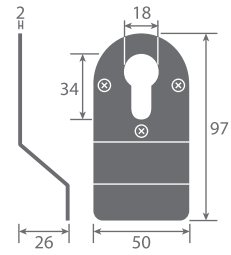


# CYLINDER PULL

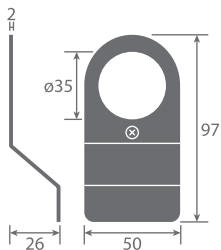
Dimensions  
in millimeters



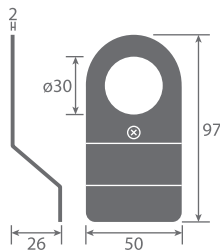
**CP32**



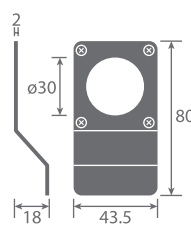
**CP33-13**



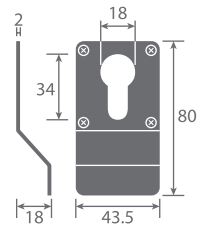
**CP33-12**



**CP33-15**

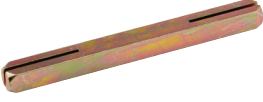
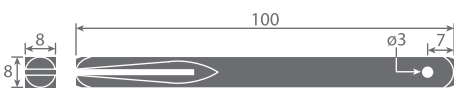
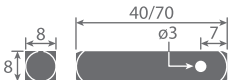
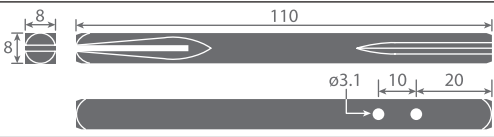

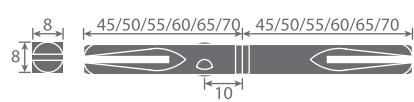


**CP35-31**


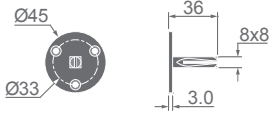



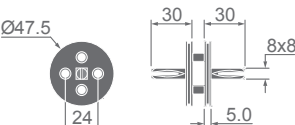

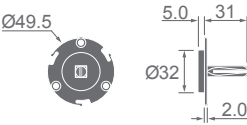


**CP35-33**


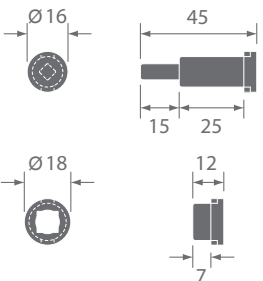
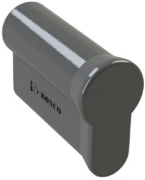
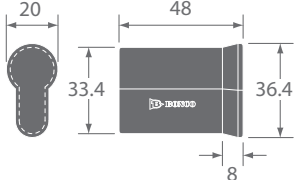
## Spindle

Model	Photo	Dimensions in mm	Operations
AA			For SB & NL Series Lever Handle
AD(4627)			For 4627 Series ANSI Mortise Lock
AD(4667)			For 4667 Series EURO Mortise Lock
AE			For LF Series Lever Handle
AF			For 4217 Series
AG			For KL700 Series (15 Function) Lever Handle
AH			For HS Series Lever Handle
AI			For 4900-DTK & DTL Series
AJ			For 4218 Series
AK			For HS-DA Series Lever Handle
AL			Single side spindle for EURO Mortise Lock
AM			Single side spindle for ANSI Mortise Lock
AR			For 4650-A & 4653-C mortise lock only


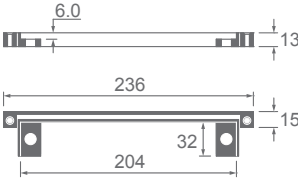


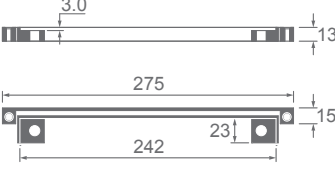

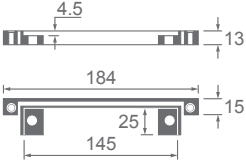

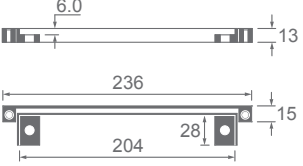

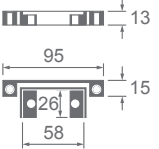
## Fixing Back Plate

Model	Photo	Dimension in mm	Used for
4681-BP			For 4900 Series Dummy Fixing
SBG-BP			For SB, HS & NL Series Levers Handle Dummy Fixing
SBG-BPD			For SBG, HSG & NLG Series Levers Handle Dummy Fixing
5-BP			For 5 Series Covers Dummy Fixing (door thickness must be over 38mm)


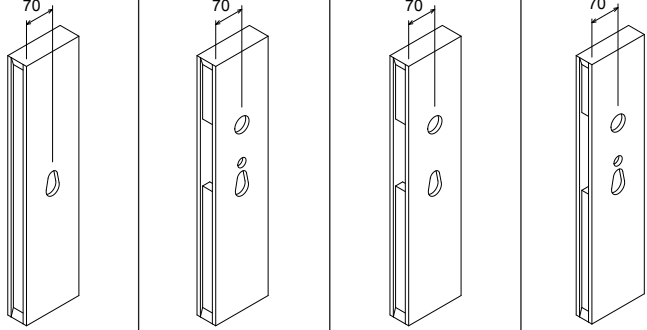
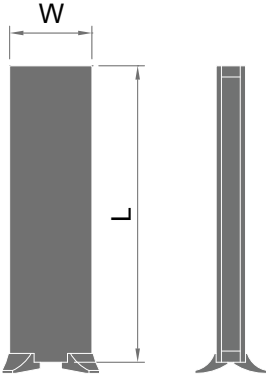
## Aid Tool - AT Series


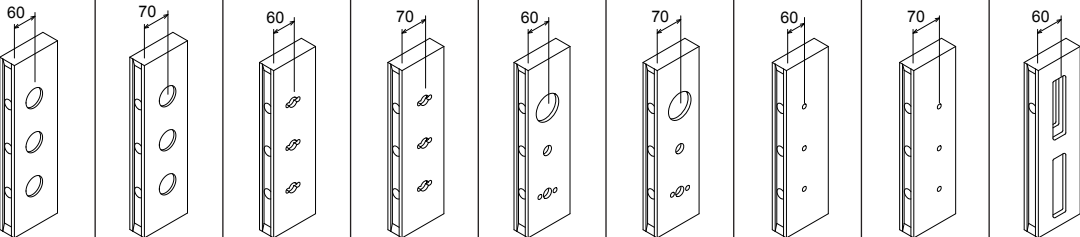
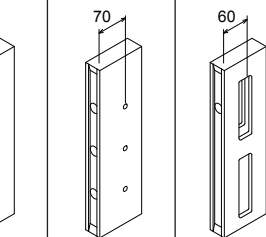
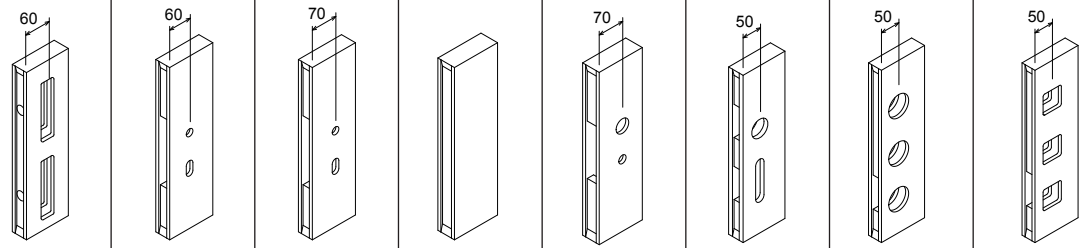
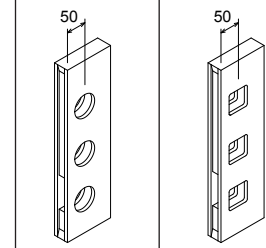
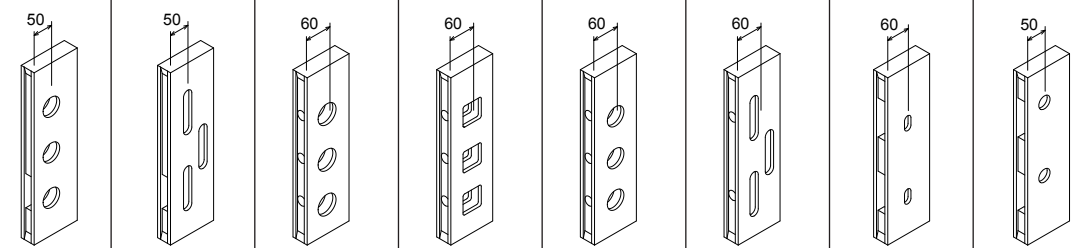
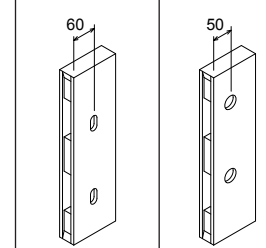
Model	Photo	Dimensions in mm	Used for
AT-01			For 49000 Series: 49901, 49903 & 49905
AT-02			For Cylinder Escutcheon: SB, HS & 5 Series Covers

## Rebated Kit - RK Series

Mode	Photo	Dimension in mm	Used for	Example
RK-06			<p>For 4627,4627S, 4628,4629 &amp; 4630 Series (ANSI Mortise Lock)</p>	
RK-13			<p>For 4626, 4626NS, 4650, 4653 &amp; 4667 Series (EURO Mortise Lock)</p>	
RK-21			<p>For CL / CLQ Series (Mortise Lock)</p>	
RK-24			<p>For 4627/4627S Series (ANSI Mortise Lock for narrow strike plate 28mm)</p>	
RK-27			<p>For 5091 Series (Latch)</p>	

## Display Wood Stand

 <p>WD-100 Series L=600 W=140</p>	<p>Drawing</p> 	NO.	<b>WD-101-01</b>	<b>WD-102-01</b>	<b>WD-102-02</b>	<b>WD-103-01</b>
		Used for	49K/L Dummy	49K+4627	49DH+4627	49K+4667
		 <p>Dimension in mm</p>				

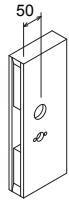
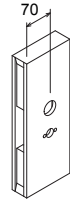
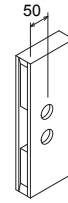
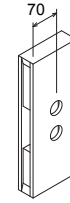
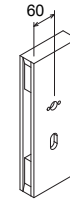
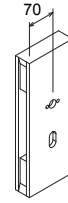
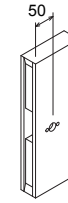
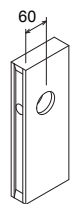
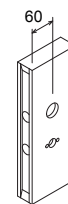
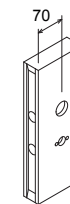
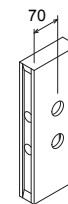
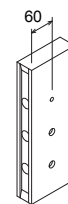
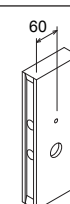
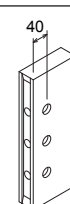
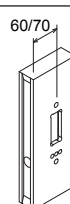
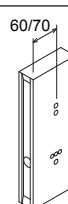
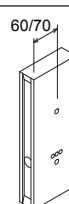
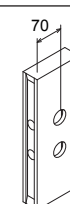
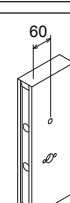
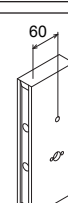
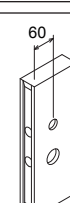
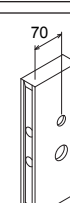
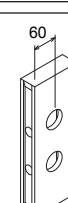
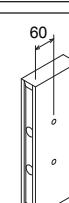
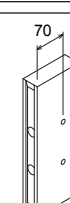
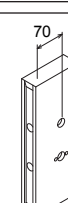
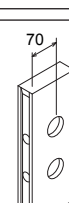
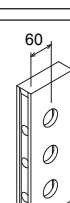

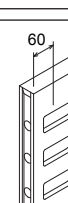
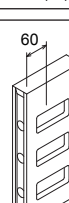
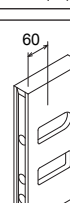
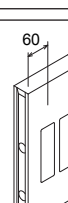
 <p>WD-200 Series L=450 W=130</p>	<p>Drawing</p> 	NO.	<b>WD-201-01</b>	<b>WD-201-02</b>	<b>WD-201-03</b>	<b>WD-201-04</b>	<b>WD-201-07</b>	<b>WD-201-08</b>	<b>WD-201-11</b>	<b>WD-201-12</b>	<b>WD-201-13</b>	
		Used for	KL+5091(60)	KL+5091(70)	SB/NL+5091(60)	SB/NL+5091(70)	4210+4217S +4217W (60)	4210+4217S +4217W (70)	KL700+KL100 +4624A (60)	KL700+KL100 +4624A (70)	4222-(60)+KP-3024	
												
	<p>Drawing</p> 	NO.	<b>WD-201-15</b>	<b>WD-202-01</b>	<b>WD-202-02</b>	<b>WD-203</b>	<b>WD-204-01</b>	<b>WD-205-05</b>	<b>WD-205-06</b>	<b>WD-205-07</b>		
		Used for	4222+4222T	ES+4626(60)	ES+4626(70)	49DTK Dummy	49DTK+4628	4218+4219+4623	4213C+4623	4214+4623		
												
	<p>Drawing</p> 	NO.	<b>WD-205-08</b>	<b>WD-205-09</b>	<b>WD-205-10</b>	<b>WD-205-11</b>	<b>WD-205-12</b>	<b>WD-205-13</b>	<b>WD-206-01</b>	<b>WD-206-02</b>		
		Used for	4218C+4623	4219+4623	4213C-N	4214-N	4218C-N	4219-N	4651+4652	CLS-05/65		
												





# Display Wood Stand













WD-300Series  
L=350W=130

Drawing									
NO.	WD-301-01	WD-301-02	WD-301-03	WD-301-04	WD-302-01	WD-302-02	WD-302-03	WD-302-04	WD-303-01
Used for	SB/ES+CL	SB/ES+CLQ	5 Series+CL	5 Series+CLQ	SB-A-AE +4626(60)	SB-A-AE +4626(70)	5-A-AE +4626(60)	5-A-AE +4626(70)	SB+LL
Drawing									
NO.	WD-303-02	WD-304-01	WD-304-02	WD-304-03	WD-304-04	WD-304-05	WD-304-06	WD-304-07	WD-304-08
Used for	5 Series+LL	4300	4291+4215(60) SB+5091(60)	4291+4215(70) SB+5091(70)	4291+4215(60) 5A+5091(60)	4291+4215(70) 5A+5091(70)	4291+4215(60)	4291+4215(70)	4680+4624A(60)
Drawing									
NO.	WD-304-09	WD-304-10	WD-304-11	WD-304-12	WD-304-13	WD-304-14	WD-304-15	WD-304-16	WD-304-17
Used for	4680+4624A(70)	4680+4624A(60) 5A+5091(60)	4680+4624A(70) 5A+5091(70)	4638+4642 +4644	4351(60/70)	4352(60/70)	4350(60/70)	AD-10-135-(70)	4290+4215-(60)
Drawing									
NO.	WD-304-18	WD-304-19	WD-304-20	WD-304-21	WD-304-22	WD-304-23	WD-304-24	WD-304-25	WD-304-26
Used for	4293+4215-(70)	4680+4624A(60) SB-Cover+ 5091(60)	4680+4624A(70) SB-Cover+ 5091(70)	LC+5091(60) 429X+4215(60)	LC+5091(70) 429X+4215(70)	AD-10-135-(60)	KL700/LC100 Dummy+ 4624A(60)	KL700/LC100 Dummy+ 4624A(70)	4217S/4217W(70)
Drawing									
NO.	WD-304-27	WD-304-32	WD-304-33	WD-304-34	WD-304-35	WD-306-01	WD-306-02	WD-306-05	WD-306-06
Used for	4210(70)	4213C-N	4214-N	4218C-N	4219-N	4220-05/65/ Dummy	4221-05/65/ Dummy	4220-05&4221-05	4222/4222T

## SUS Finishes List

<b>BONCO</b>	<b>Description</b>	<b>BONCO</b>	<b>Description</b>
	<b>F24</b> Satin stainless steel		<b>F25</b> Polished stainless steel

## BPC Finishes List

<b>BONCO</b>	<b>Description</b>	<b>BONCO</b>	<b>Description</b>
	<b>F91</b> Matt black powder coating		<b>F91T</b> Matt black powder coating with rough surface
	<b>F93</b> Matt white powder coating		<b>F93T</b> Matt white powder coating with rough surface
	<b>F94T</b> Matt light grey powder coating with rough surface		<b>F96T</b> Matt dark grey powder coating with rough surface
	<b>F97</b> Matt brown powder coating		<b>F97T</b> Matt brown powder coating with rough surface
	<b>F99</b> Matt champagne silver powder coating		<b>F100</b> Matt silver grey powder coating

BONCO	Description	BONCO	Description
	<b>F100T</b> Matt silver grey powder coating with rough surface		<b>F101</b> Matt champagne gold powder coating
	<b>F102</b> Matt antique brass gold powder coating		<b>F102T</b> Matt antique brass gold powder coating with rough surface
	<b>F104T</b> Matt light green powder coating with rough surface		<b>F105T</b> Matt dark green powder coating with rough surface
	<b>F106T</b> Matt light blue powder coating with rough surface		<b>F107T</b> Matt dark blue powder coating with rough surface
	<b>F108T</b> Matt rose gold powder coating with rough surface		

## PVD Finishes List

<b>BONCO</b>	<b>Description</b>	<b>BONCO</b>	<b>Description</b>
	<b>F16</b> Polished brass		<b>F17</b> Brushed brass
	<b>F301</b> Polished bronze		<b>F302</b> Brushed bronze
	<b>F303</b> Brushed chrome		<b>F304</b> Red gold
	<b>F305</b> Brushed red gold		<b>F306</b> Polished black chrome
	<b>F307</b> Brushed black chrome		<b>F308</b> Steel optic
	<b>F310</b> Polished nickel		<b>F311</b> Gold optic
	<b>F316</b> Brushed nickel		





Name of quality & dependability

[www.boncohardware.com](http://www.boncohardware.com)

**BONCO** Ironmongery Ltd.

Member of E. Bon Holdings Ltd. (HKEx stock code 599)

---

18/F, First Commercial Building, 33 Leighton Rd., Causeway Bay, H.K.  
Tel : (852) 2891 2188 Fax : (852) 2834 2652