

## Miscellaneous Hardware



simplicity can be beautiful and functional

CH-202 .....	MH23	DS-096 .....	MH 4
CH-205SS .....	MH23	DS-097 .....	MH 4
CH-206SS .....	MH23	DS-098 .....	MH10
CH-207SS .....	MH23	DS-099 .....	MH9
CH-208SS .....	MH23	DS-100 / DS-100S.....	MH10
CH-501D, CH-501D-S .....	MH22	DT-052 (38kgs) (5', 6', 8', 10').....	MH29
DB-008 .....	MH14	DT-054 (65kgs) (5', 6', 8', 10').....	MH29
DB-008K .....	MH14	DT-056 (100kgs) (5', 6', 8', 10').....	MH29
DB-036A .....	MH14	DT-052C (38kgs) (5', 6', 8', 10') .....	MH45
DC-011 .....	MH28	DT-054C (65kgs) (5', 6', 8', 10') .....	MH45
DC-018 .....	MH26	DT-052T (38kgs) (5', 6', 8', 10') .....	MH31
DC-063 .....	MH28	DT-054T (65kgs) (5', 6', 8', 10') .....	MH31
DG-106N .....	MH26	DT-056T (90kgs) (5', 6', 8', 10') .....	MH31
DG-109 .....	MH26	DT-061-N (85kgs) (5', 6', 8', 10') .....	MH33
DG-110 .....	MH26	DT-061-SH-N (85kgs) (5', 6', 8', 10') .....	MH35
DG-111 .....	MH26	DT-061T-N (85kgs) (5', 6', 8', 10') .....	MH37
DP-042 .....	MH28	DT-061T-SH-N (85kgs) (5', 6', 8', 10') .....	MH39
DP-042XL .....	MH28	DT-081 (38kgs) (5', 6', 8', 10').....	MH41
DS-003 .....	MH 4	DT-082 (120kgs) (5', 6', 8', 10').....	MH41
DS-005 .....	MH 6	DT-081T (38kgs) (5', 6', 8', 10').....	MH43
DS-024 .....	MH 9	DT-082T (120kgs) (5', 6', 8', 10').....	MH43
DS-025 .....	MH 9	DT-081C (38kgs) (5', 6', 8', 10') .....	MH47
DS-027 .....	MH 9	DT-082C (65kgs) (5', 6', 8', 10') .....	MH47
DS-028 .....	MH 4	DT-081FD (38kgs) (5', 6', 8', 10') .....	MH49
DS-029 .....	MH 4	DT-081FD-1, 2, 3, 4.....	MH49
DS-029H.....	MH 4	DV-014C.....	MH27
DS-032 .....	MH 6	DV-015, 015C.....	MH27
DS-037 .....	MH 4	FB-019.....	MH13
DS-038 .....	MH 4	FB-055.....	MH13
DS-040 .....	MH 9	FB-069.....	MH13
DS-046S .....	MH 8	KP-3001, 3002.....	MH15
DS-046L .....	MH 8	KP-3006XS, S, L .....	MH16
DS-050 .....	MH 6	KP-3008A, B, D.....	MH16
DS-051 .....	MH 6	KP-3013.....	MH16
DS-053 .....	MH15	KP-3015.....	MH17
DS-060 / DS-060S .....	MH 6	KP-3017.....	MH17
DS-068 .....	MH 6	KP-3018.....	MH17
DS-071 .....	MH 6	KP-3019XS, S, L .....	MH16
DS-073 .....	MH 8	KP-3020.....	MH16
DS-083 .....	MH12	KP-3021XS, S, L .....	MH17
DS-084 .....	MH 4	KP-3022XS, S, L .....	MH17
DS-085 .....	MH12	KP-3023.....	MH17
DS-086 .....	MH 6	KP-3024.....	MH17
DS-088 .....	MH 10	OH-101 / OH-101S .....	MH20
DS-089 .....	MH 10	SS-8114.....	MH25
DS-090 .....	MH 10	4330BB.....	MH25
DS-091 .....	MH 4	4430BB.....	MH25
DS-092 .....	MH 4	Finishes.....	MH52-54
DS-093 .....	MH 4		
DS-094 .....	MH 10		
DS-095 .....	MH 10		

	Door Stops (Floor Mounts)	MH4 - MH5
	Door Stops (Wall Mounts)	MH6-MH7
	Door Holders (Door Mounts)	MH8
	Door Holders with Magnetic / Door Holders with Hook (Wall / Floor Mounts)	MH9 - MH12
	Flush Bolts	MH13
	Indicating Bolts	MH14
	Door Selector	MH15
	Retractable Push Button Knobs	MH15
	Flush Pulls	MH16 - MH19
	Offset Pivot Hinge	MH20 - MH21
	Hinges	MH22 - MH25
	Door Chain / Door Guards	MH26
	Brass Door Viewers	MH27
	Door Catches	MH28
	Dustproof Sockets	MH28
	Sliding Door Track Sets	MH29 - MH44
	Concealed Type Sliding Door Track Sets	MH45 - MH48
	Folding Type Sliding Door Track Sets	MH49 - MH51
	List and symbols of materials and finishes	MH52 -MH54

Numerous patents, copyrights, and trademarks are held by us to protect the integrity and reputation of our distinctive line of hardware appointments. Manufacturer reserves all rights of any modification, materials and specifications without notice.

# DOOR STOPS

Floor Mounts

**Standard Finishes:**  
F21, F22, F91~F102,  
F91T~F108T,  
PVD (by request)

## DS-003

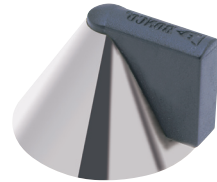
Material : Zinc alloy



F102

## DS-028

Material : Zinc alloy



F21

## DS-029

Material : Zinc alloy



F21

## DS-029H

Material : Zinc alloy



F97

## DS-037

Material : Zinc alloy



F94T

## DS-038

Material : Zinc alloy



F96T

## DS-084

Material : Brass



F21

## DS-091

Material : Zinc alloy



F22

## DS-092

Material : Zinc alloy



F305

## DS-093

Material : Zinc alloy



F22

## DS-096

Material : Zinc alloy



F91

## DS-097

Material : Zinc alloy

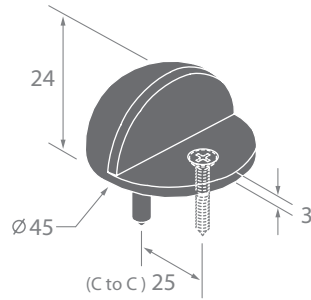


F108T

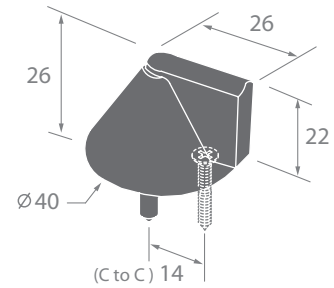
# DOOR STOPS

Floor Mounts

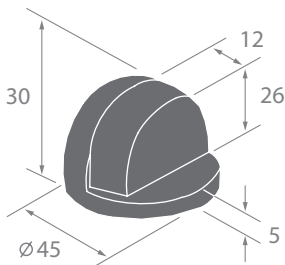
Dimensions in millimeters



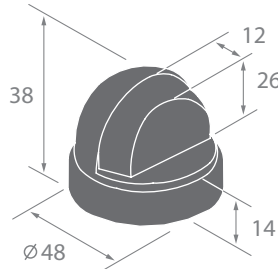
**DS-003**



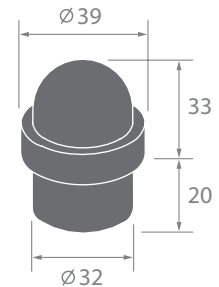
**DS-028**



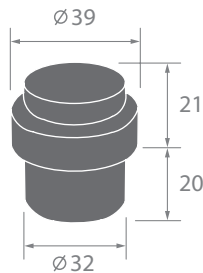
**DS-029**



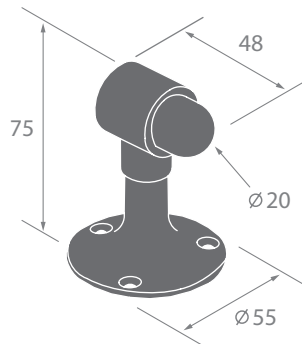
**DS-029H**



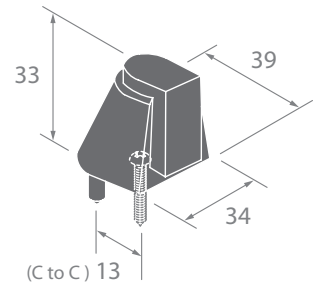
**DS-037**



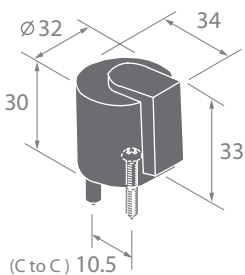
**DS-038**



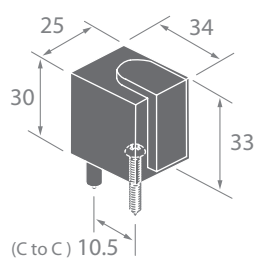
**DS-084**



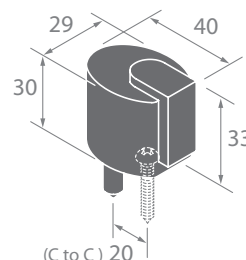
**DS-091**



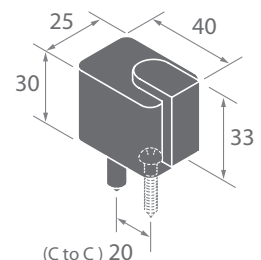
**DS-092**



**DS-093**



**DS-096**



**DS-097**

# DOOR STOPS

Wall Mounts

**Standard Finishes:**  
F21, F22, F91~F102,  
F91T~F108T,  
PVD (by request)

## DS-005

Material : Zinc alloy



F91

## DS-032

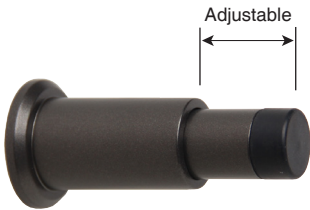
Material : Stainless steel



F25

## DS-050

Material : Zinc alloy  
Adjustable : 68 - 98mm



F97

## DS-051

Material : Zinc alloy



F94T

## DS-060

Material : Brass



F106T

## DS-060S

Material : Brass



F102T

## DS-068

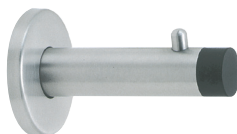
Material : Zinc alloy



F93

## DS-071

Door stop with hook  
Material : Stainless steel



F24

## DS-086

Material : Brass

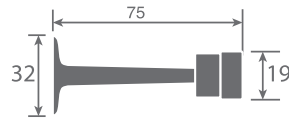


F97

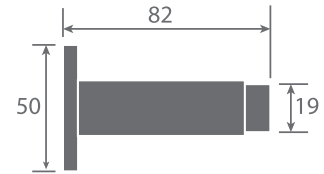
# DOOR STOPS

Wall Mounts

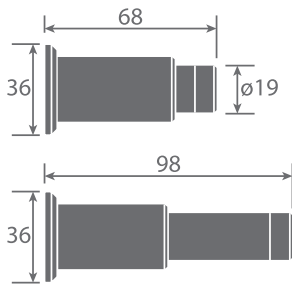
Dimensions  
in millimeters



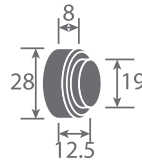
**DS-005**



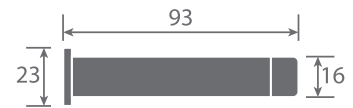
**DS-032**



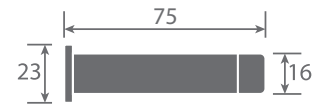
**DS-050**



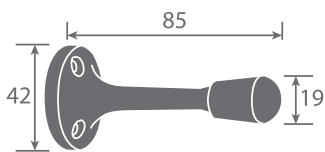
**DS-051**



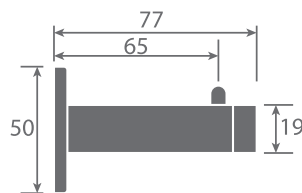
**DS-060**



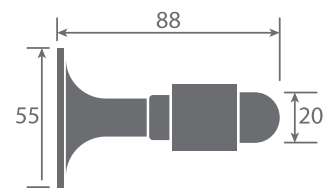
**DS-060S**



**DS-068**



**DS-071**



**DS-086**

# DOOR HOLDERS

Door Mounts

**Standard Finishes:**

F21, F22, F91~F102,  
F91T ~F108T

## DS-046S

Material : Zinc alloy



F93

## DS-046L

Material : Zinc alloy



F91

## DS-073

Material : Zinc alloy



F21

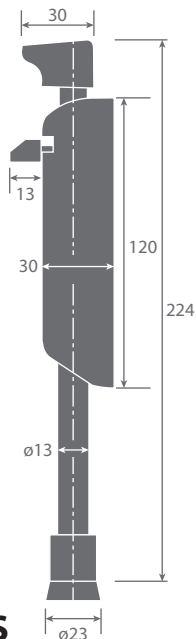


\*spring function for holding the door firmly.

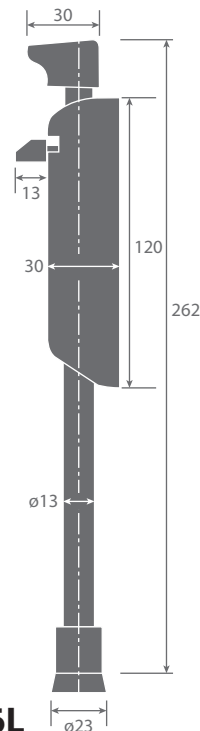
# DOOR HOLDERS

Door Mounts

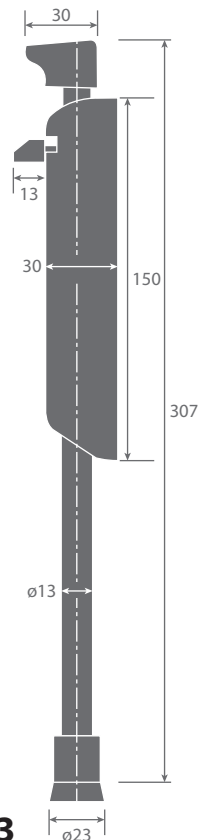
Dimensions  
in millimeters



DS-046S



DS-046L



DS-073



# DOOR HOLDERS WITH MAGNETIC

Wall / Floor Mounts

**Standard Finishes:**

F21, F22, F91~F102,  
F91T ~F108T, PVD (by request)

## DS-040

Wall / Floor type magnetic door holder  
(Either floor or wall fixing)  
Material: Zinc alloy



F97

F22

## DS-027

Wall / Floor type magnetic door holder  
(Either floor or wall fixing)  
Material: Zinc alloy



F305

## DS-099

Floor type magnetic door holder  
Material: Stainless steel



F100T

## DS-024

Floor type magnetic door holder  
(turn the rubber around if magnetic is not needed)  
Material: Zinc alloy



F22

## DS-025

Floor type magnetic door holder  
(turn the rubber around if magnetic is not needed)  
Material: Zinc alloy



F96T

# DOOR HOLDERS WITH MAGNETIC

Wall / Floor Mounts

**Standard Finishes:**

F21, F22, F91~F102,  
F91T ~F108T, PVD (by request)

## DS-088

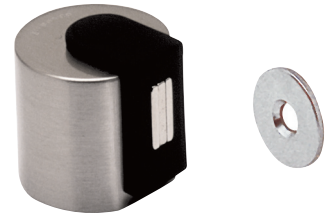
Floor type magnetic door holder  
Material: Zinc alloy



F93

## DS-089

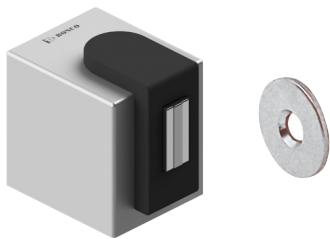
Floor type magnetic door holder  
Material: Zinc alloy



F22

## DS-090

Floor type magnetic door holder  
Material: Zinc alloy



F94T

## DS-094

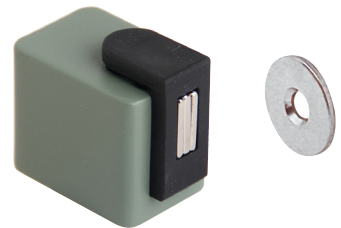
Floor type magnetic door holder  
Material: Zinc alloy



F91

## DS-095

Floor type magnetic door holder  
Material: Zinc alloy



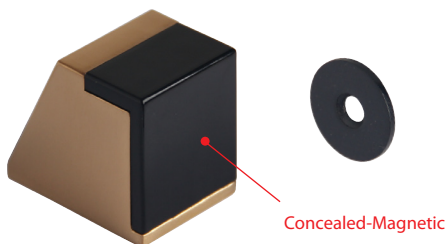
F104T

## DS-098

**NEW**

**PATENTED**

Floor type magnetic door holder  
Material: Zinc alloy



F302

## DS-100

**NEW**

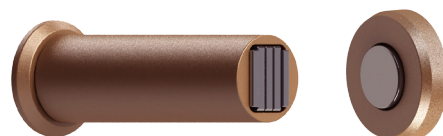
Wall type magnetic door holder  
Material: Zinc alloy & aluminium



F100

## DS-100S

**NEW**

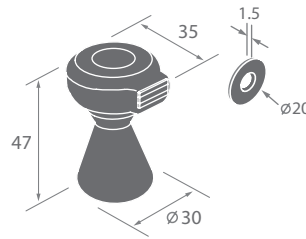


F102T

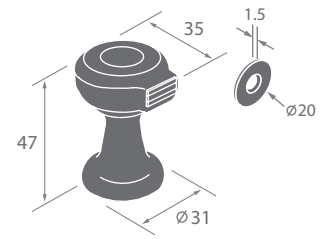
# DOOR HOLDERS WITH MAGNETIC

Wall / Floor Mounts

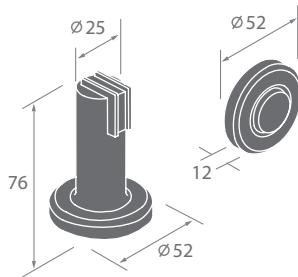
Dimensions  
in millimeters



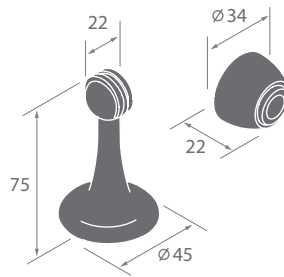
**DS-024**



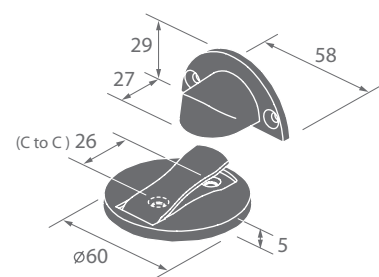
**DS-025**



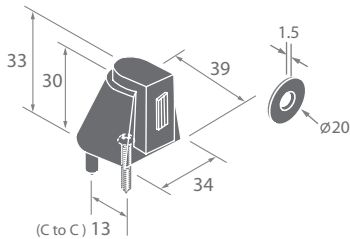
**DS-027**



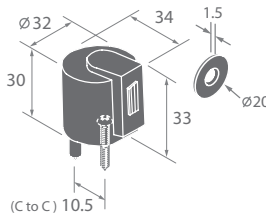
**DS-040**



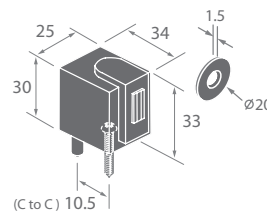
**DS-099**



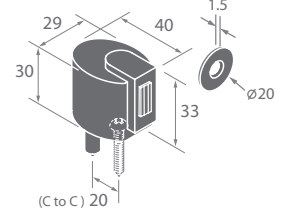
**DS-088**



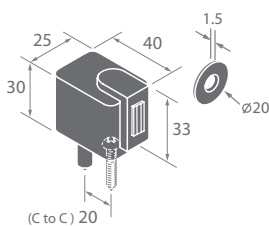
**DS-089**



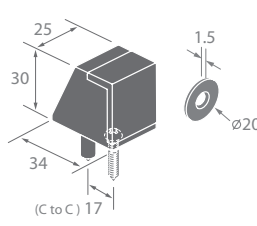
**DS-090**



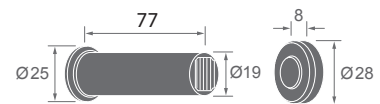
**DS-094**



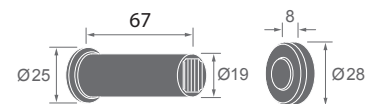
**DS-095**



**DS-098** **NEW**



**DS-100** **NEW**



**DS-100S** **NEW**

# DOOR HOLDERS WITH HOOK

Wall / Floor Mounts

**Standard Finishes:**

F21, F22, F91~F102,  
F91T ~F108T, PVD (by request)

## DS-083

Floor type door holder with hook  
Material: Brass



F21

## DS-085

Wall type door holder with hook  
Material: Brass

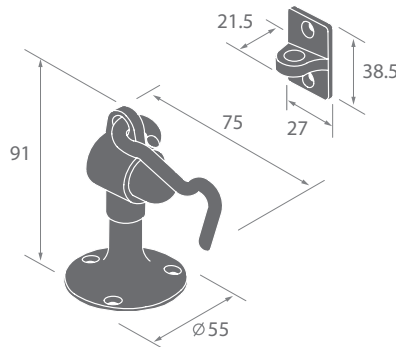


F91

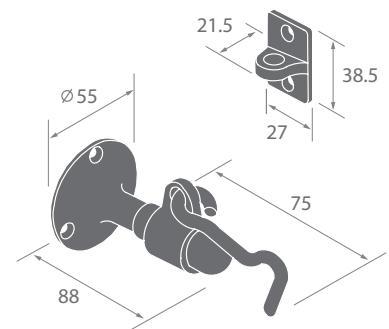
# DOOR HOLDERS WITH HOOK

Wall / Floor Mounts

Dimensions  
in millimeters



DS-083



DS-085

# FLUSH BOLTS

**Standard Finishes:**  
 F24, F25, F91~F102,  
 F91T~F108T,  
 PVD (by request)

## FB-019

Material : Stainless steel

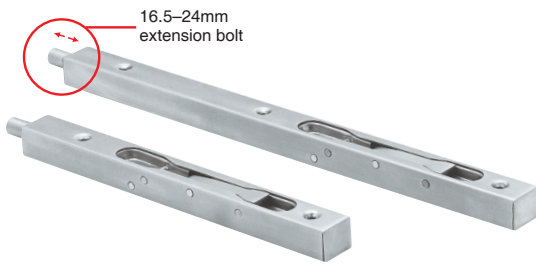


**F97**

(passed 70,000 cycle test)

## FB-055

Material : Stainless steel

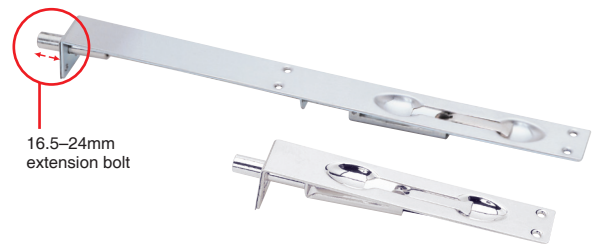


**F24**

(passed 70,000 cycle test)

## FB-069

Material : Stainless steel

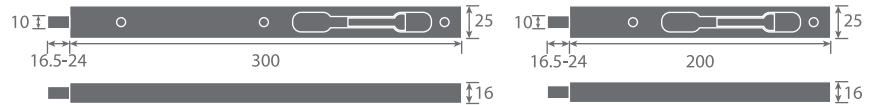


**F25**

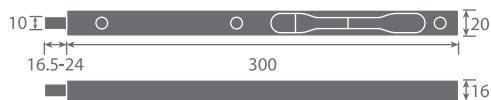
(passed 70,000 cycle test)

# FLUSH BOLTS

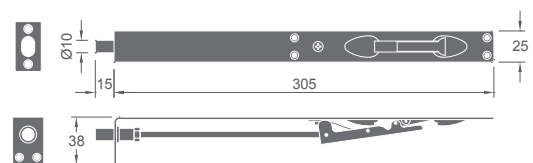
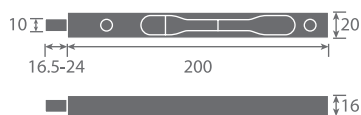
Dimensions  
 in millimeters



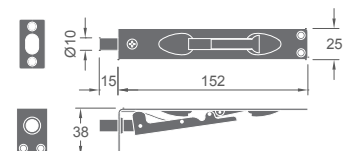
**FB-019**



**FB-055**



**FB-069**



# INDICATING BOLTS

Standard Finishes:  
F21, F22, F91~F102,  
F91T ~F108T

## DB-036A

Indicating bolt  
Material : Zinc alloy



## DB-008

**PATENTED**

Indicating bolt  
Material : Zinc alloy



## DB-008K

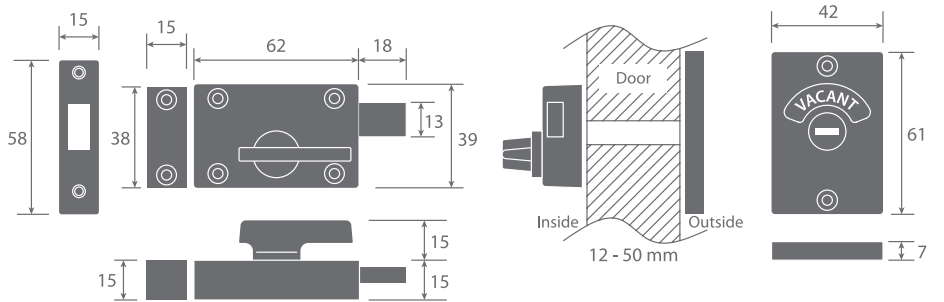
**PATENTED**

Barrel bolt  
Material : Zinc alloy

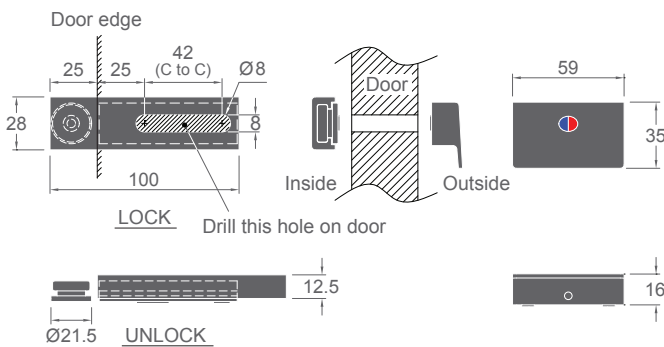


# FLUSH BOLTS

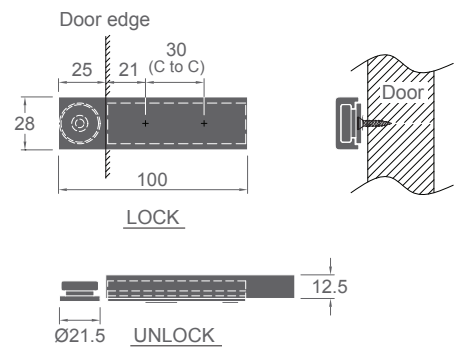
Dimensions  
in millimeters



DB-036A



DB-008



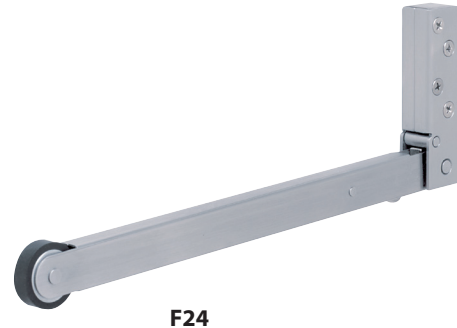
DB-008K

# DOOR SELECTOR

Standard Finishes:  
F24, F91~ F102 ,  
F91T ~ F108T

## DS-053

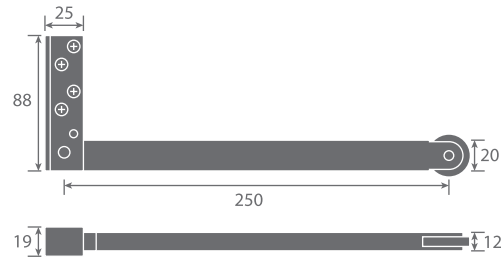
Door Selector  
Material : Stainless steel



F24

# DOOR SELECTOR

Dimensions  
in millimeters



DS-053

# RETRACTABLE PUSH BUTTON KNOB

Standard Finishes:  
F21, F22, F31, F32

## KP-3001

Material : Zinc alloy



F22

## KP-3002

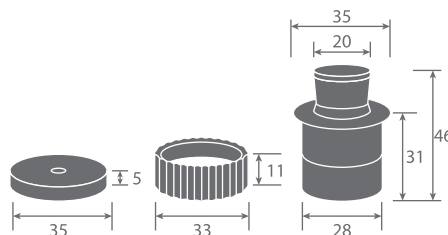
Material : Zinc alloy



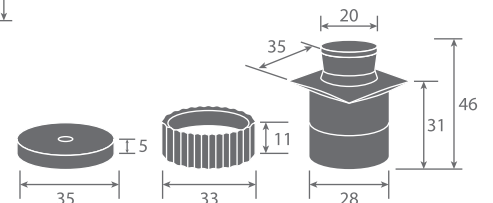
F21

# RETRACTABLE PUSH BUTTON KNOB

Dimensions  
in millimeters



KP-3001



KP-3002

# FLUSH PULLS

Standard Finishes:  
F21, F22, F91~F102,  
F91T~F108T  
PVD (by request)

**KP-3008A**

Material : Zinc alloy



F21

**KP-3008B**

Material : Zinc alloy



F101

**KP-3008D**

Material : Zinc alloy



F21

**KP-3006XS**

Material : Zinc alloy



F97

**KP-3006S**

Material : Zinc alloy



F97

**KP-3006L**

Material : Zinc alloy



F97

**KP-3013**

Material : Zinc alloy



F93T

**KP-3019XS**

Material : Zinc alloy



F93

**KP-3019S**

Material : Zinc alloy



F93

**KP-3019L**

Material : Zinc alloy



F93

**KP-3020**

Material : Zinc alloy

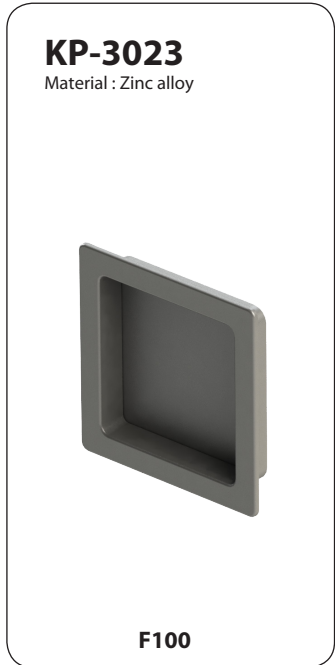


F22



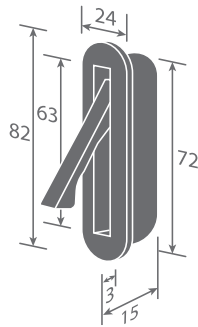
**FLUSH  
PULLS**

**Standard Finishes:**  
F21, F22, F91~F102,  
F91T ~F108T  
PVD (by request)

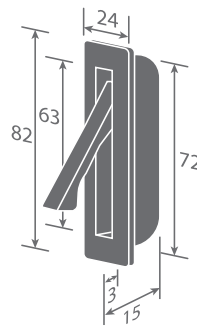


# FLUSH PULLS

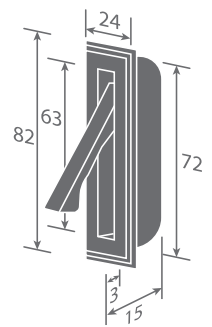
Dimensions  
in millimeters



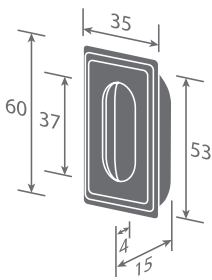
**KP-3008A**



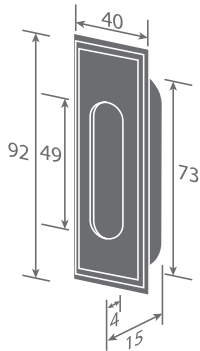
**KP-3008B**



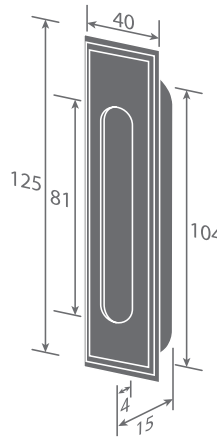
**KP-3008D**



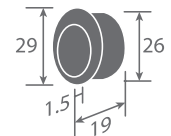
**KP-3006XS**



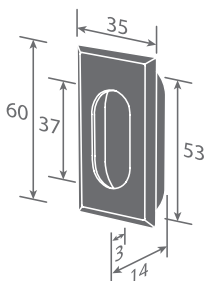
**KP-3006S**



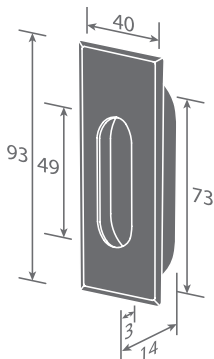
**KP-3006L**



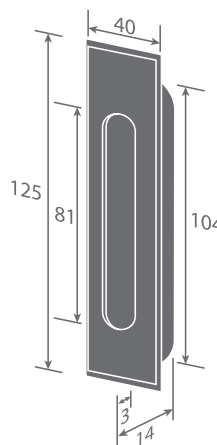
**KP-3013**



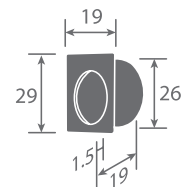
**KP-3019XS**



**KP-3019S**



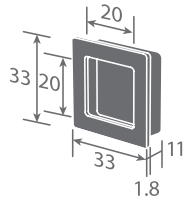
**KP-3019L**



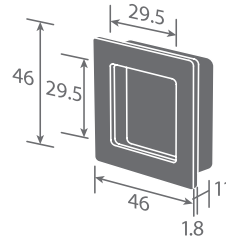
**KP-3020**

# FLUSH PULLS

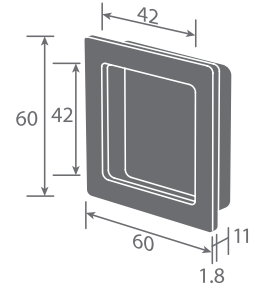
Dimensions  
in millimeters



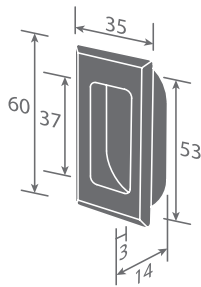
**KP-3021XS**



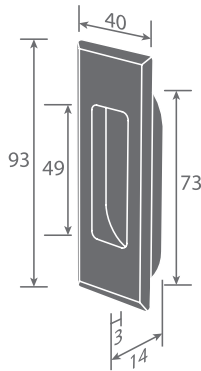
**KP-3021S**



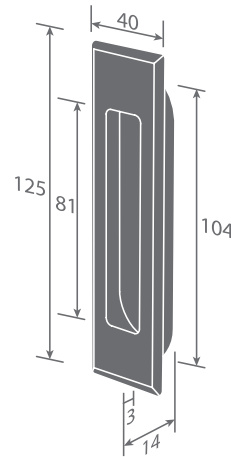
**KP-3021L**



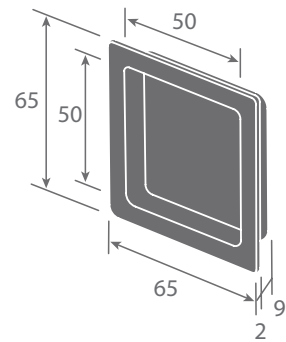
**KP-3022XS**



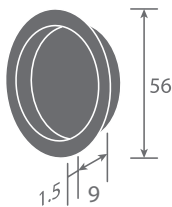
**KP-3022S**



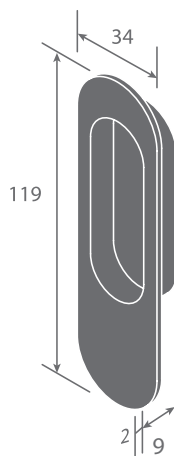
**KP-3022L**



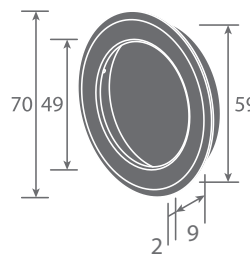
**KP-3023**



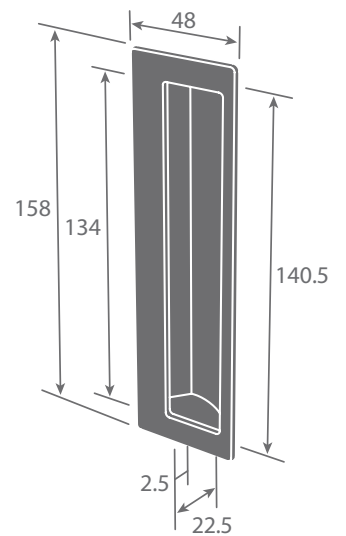
**KP-3015**



**KP-3017**



**KP-3018**



**KP-3024**

# OFFSET PIVOT HINGE

## Standard Finishes:

F24, F91~F102,  
F91T ~F108T

### OH-101/OH-101S

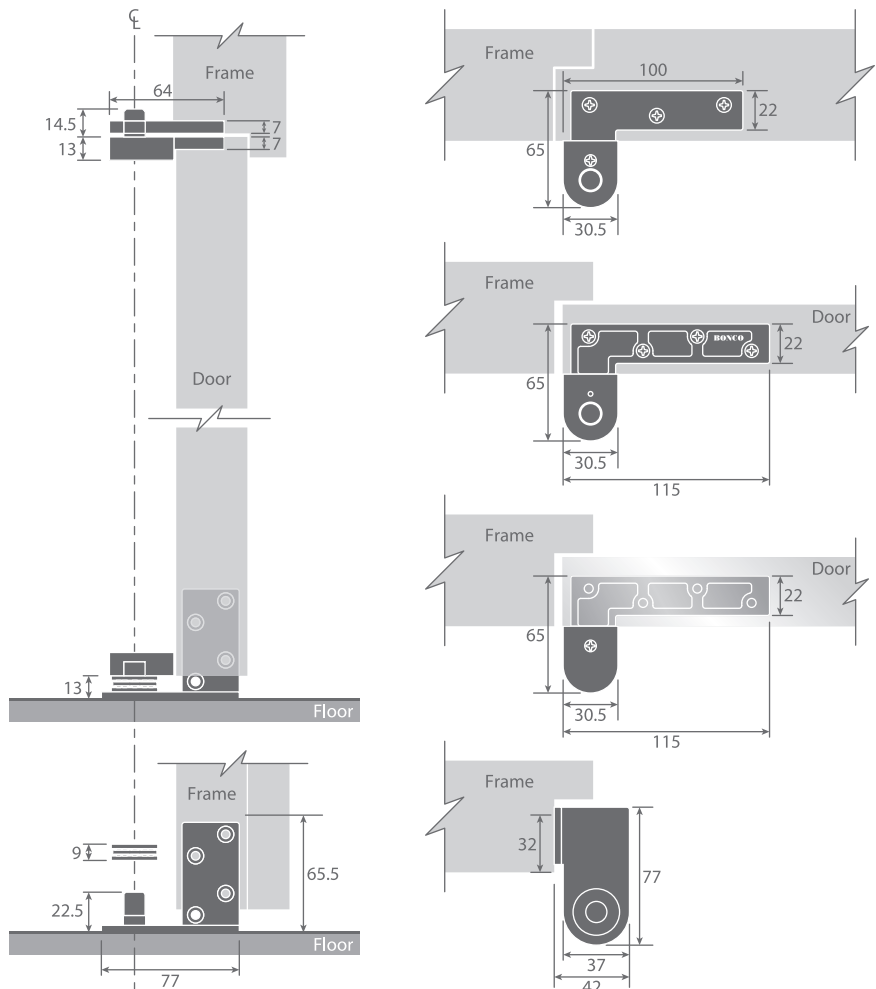
Max Weight: 160kg  
 Max Door Width: 1200mm  
 Handed: LH or RH  
 Door Thickness: 30-55mm (Passed  
 200,000 Cycle Test)  
 Material:  
 OH-101 made of Zinc Alloy;  
 OH-101S made of Stainless Steel.



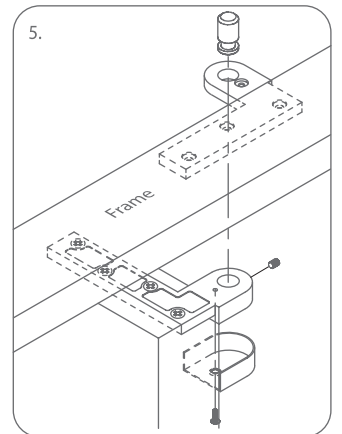
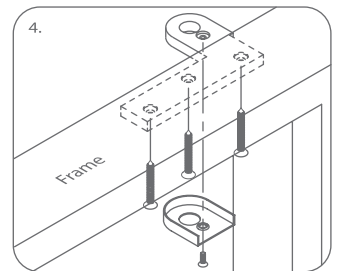
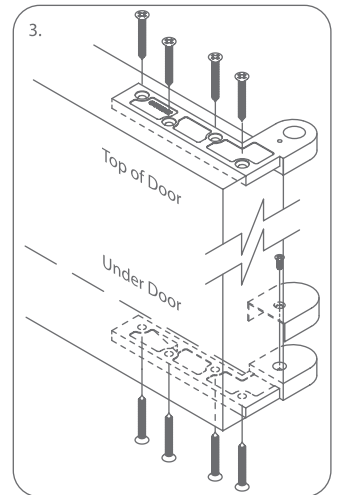
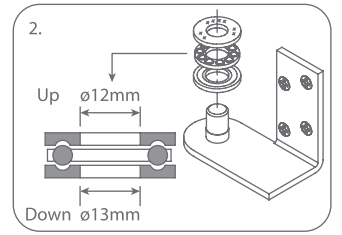
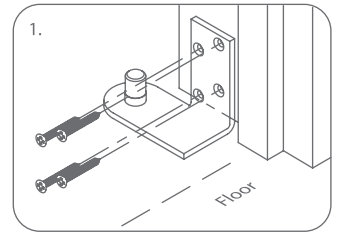
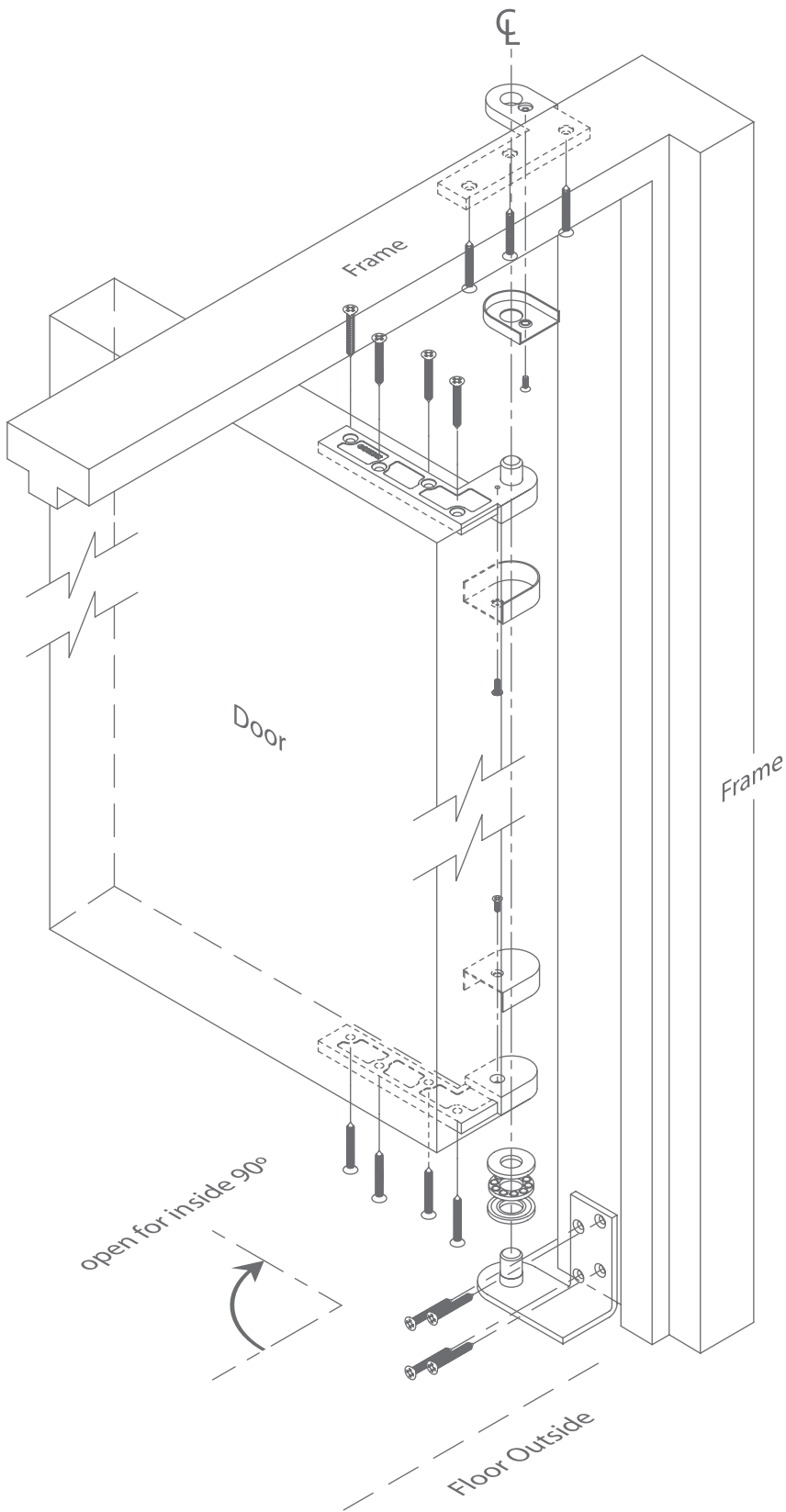
F24

# OFFSET PIVOT HINGE

Dimensions  
in millimeters



# Template for OH-101-RH



# ADJUSTABLE CONCEALED HINGES

(Passed 200,000 Cycle Test)

**Max. Weight :** 60kg (2 hinges used)

**Max. Width :** 900mm

**Door Thickness :** 40~50mm

**Opening Angle :** 0~180°

**Vertical adjustment (Up - Down)** (± 2 mm)

**Horizontal adjustment (Left - Right)** (± 2 mm)

**Depth adjustment (Front - Back)** (± 1 mm)

## CH-501D NEW

Finishes :

F91~F102, F91T~F108T

**(Powder Coating ONLY)**

Material :

Main Body: Zinc Alloy

Cover Plate: Zinc Alloy



F97

## CH-501D-S NEW

Finishes :

F17, F302, F307,

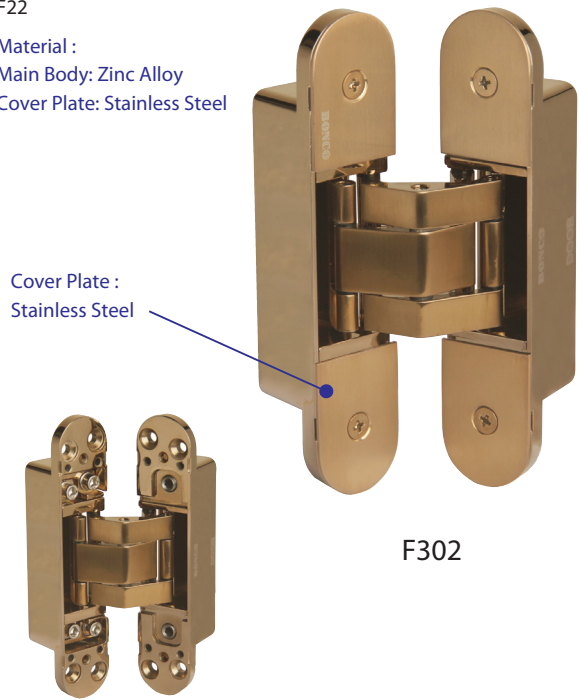
F91~F102, F91T~F108T,

F22

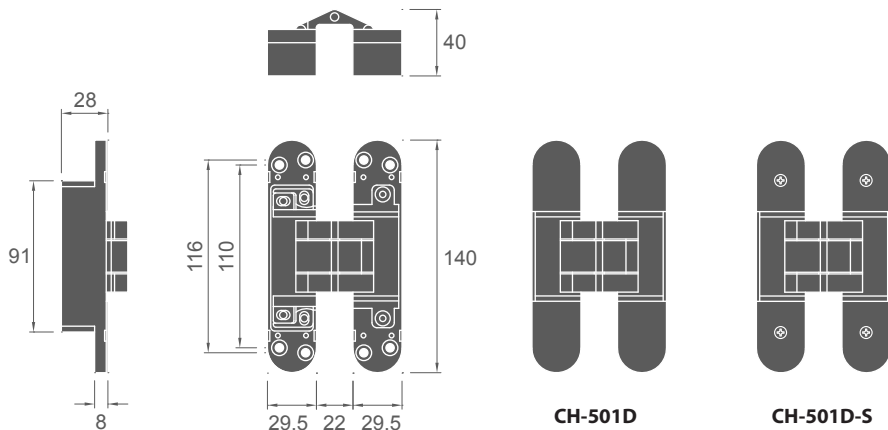
Material :

Main Body: Zinc Alloy

Cover Plate: Stainless Steel



F302



CH-501D

CH-501D-S

# CONCEALED HINGES

**Standard Finishes:**  
F17, F302, F307,  
F24, F54

(Passed 200,000 Cycle Test)

## Finishes



F17



F302



F307



F54

### CH-205SS **NEW**

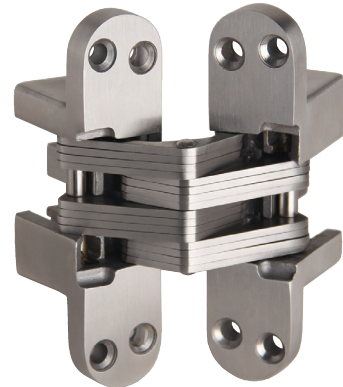
Material : Stainless steel  
100kgs : 2 hinges used  
120kgs : 3 hinges used  
Door Thickness : 40~60mm



F24

### CH-206SS **NEW**

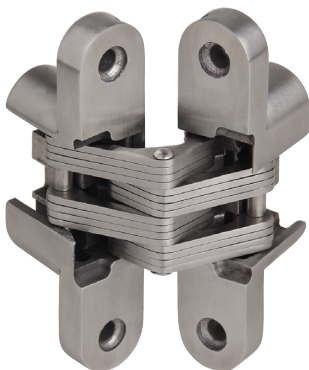
Material : Stainless steel  
80kgs : 2 hinges used  
100kgs : 3 hinges used  
Door Thickness : 35~50mm



F24

### CH-207SS **NEW**

Material : Stainless steel  
60kgs : 2 hinges used  
70kgs : 3 hinges used  
Door Thickness : 32~45mm



F24

### CH-208SS **NEW**

Material : Stainless steel  
50kgs : 2 hinges used  
60kgs : 3 hinges used  
Door Thickness : 26~40mm



F24

### CH-202

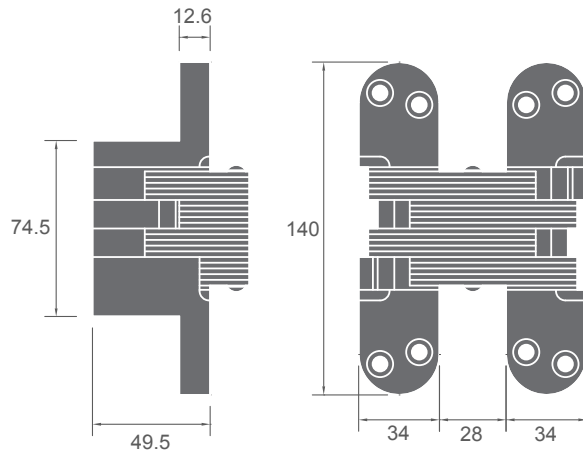
Material : Zinc alloy and Hyden steel  
40kgs : 2 hinges used  
50kgs : 3 hinges used  
Door Thickness : 28~40mm



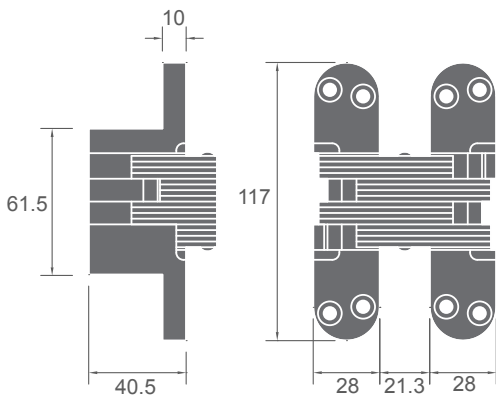
F22 ONLY

# CONCEALED HINGES

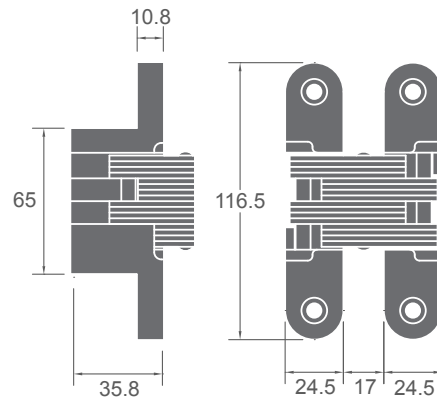
Dimensions in millimeters



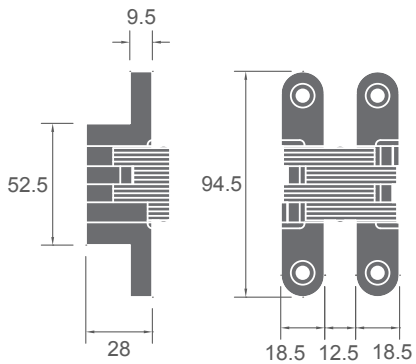
CH-205SS **NEW**



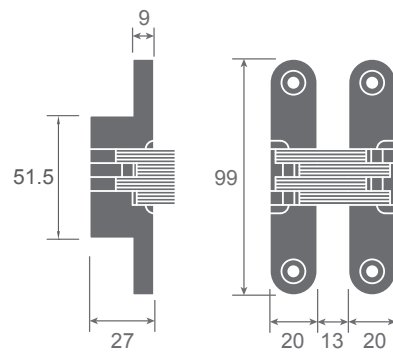
CH-206SS **NEW**



CH-207SS **NEW**



CH-208SS **NEW**



CH-202



# HINGES

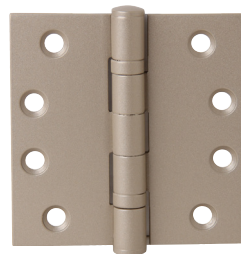
**Standard Finishes:**  
F24, F25, F91~ F102,  
F91T~ F108T,  
PVD (by request)

## 4430BB

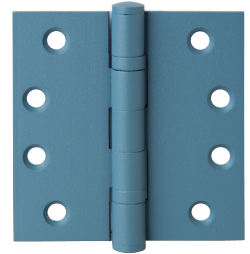
Butt hinges with ball bearing  
Material : Stainless steel



F91



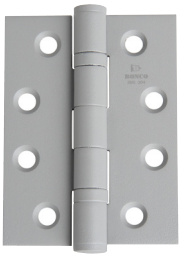
F101



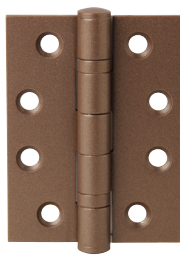
F106T

## 4330BB

Butt hinges with ball bearing  
Material : Stainless steel



F94T



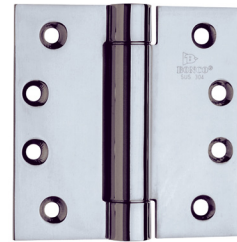
F102T



F104T

## SS-8114

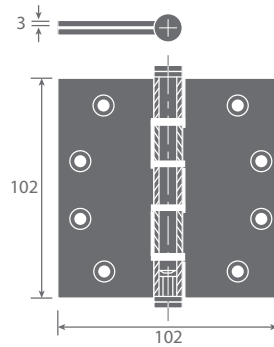
Single action spring hinges  
Material : Stainless steel



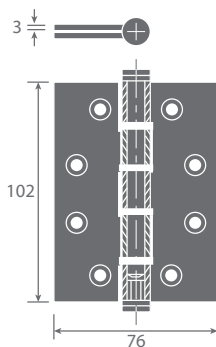
F25

# HINGES

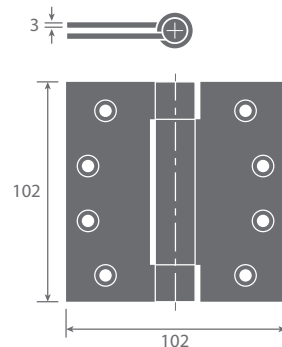
Dimensions  
in millimeters



4430BB



4330BB



SS-8114

# DOOR CHAIN / DOOR GUARD HOOKS

**Standard Finishes:**  
F21, F22, F91~F102,  
F91T ~F108T

## DC-018

### Door chain

Material : Stainless steel  
F24, F25 only for this model



F25

## DG-106N

### Door guard

Material : Zinc alloy



F91

## DG-109

### Door guard

Material : Zinc alloy



F21

## DG-110

### Door guard

Material : Zinc alloy



F93

## DG-111

### Door guard

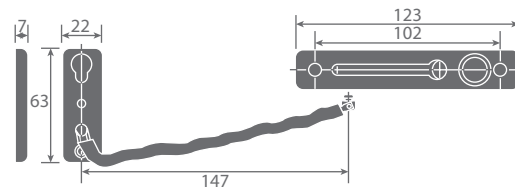
Material : Zinc alloy



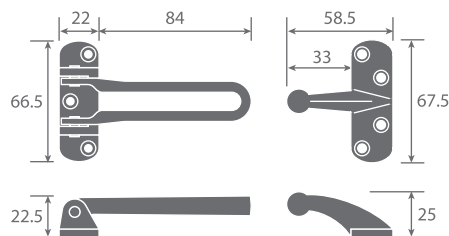
F22

# DOOR CHAIN / DOOR GUARD HOOKS

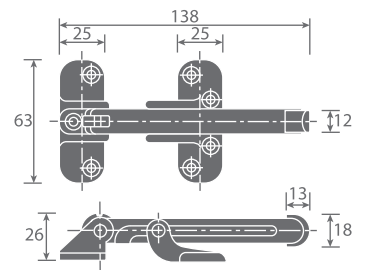
Dimensions  
in millimeters



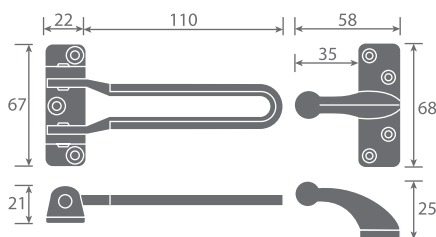
DC-018



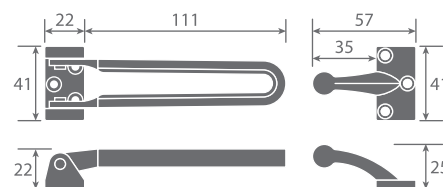
DG-106N



DG-109



DG-110



DG-111

# BRASS DOOR VIEWERS

**Standard Finishes:**  
 F21, F22,  
 F47 (Satin Bronze)  
 F48 (Matt Black)

## 100% Glass Lenses

- All models with highly polished precision optical glass lenses.
- By extending male screw, female screw, or both (or by shortening), the door viewer can easily be adjusted for any door thickness. Please indicate the sizes required if our standard sizes do not fit your doors. We will make adjustments to meet your requirements.
- Door Thickness : 35 ~ 60mm (1-3/8" ~ 2-3/8"), 45 ~ 75mm (1-3/4" ~ 3")
- Adjustable for door thickness from 35mm to 60mm or 45mm to 75mm.
- Extension link can be added for door thickness over 60mm or 75mm.

## How to install

Drill 14mm or 16mm hole in door (depends on model) at desired height. Insert lens part from outside and female screw from inside. Screw together. Use coin in slot to tighten.

### DV-014C (200°)

(with shutter)  
 Material: Brass



F48

### DV-015 (200°)

Material: Brass



F21

### DV-015C (200°)

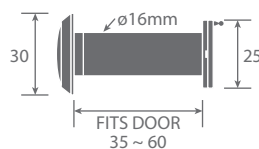
(with shutter)  
 Material: Brass



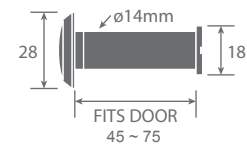
F22

# BRASS DOOR VIEWERS

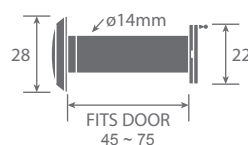
Dimensions  
 in millimeters



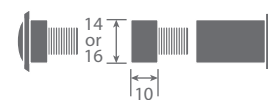
DV-014C



DV-015



DV-015C



Extension Link

## DOOR CATCHES

### DC-011

Adjustable door catch  
Material : Stainless steel  
Finishes : F24, F25



F24

### DC-063

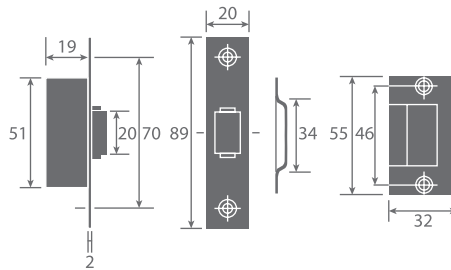
Adjustable door catch  
Material : Zinc alloy  
Finishes : F21, F22, F91~F102, F91T~F108T



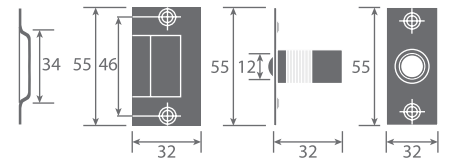
F91

## DOOR CATCHES

Dimensions  
in millimeters



DC-011



DC-063

## DUSTPROOF SOCKETS

Standard Finishes:  
F21, F22

### DP-042

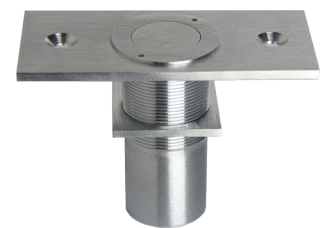
Material : Brass



F21

### DP-042XL

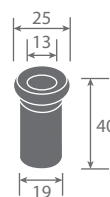
Material : Brass



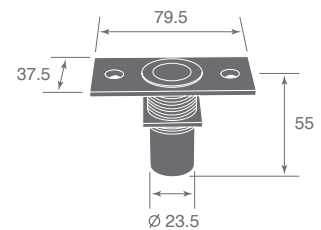
F22

## DUSTPROOF SOCKETS

Dimensions  
in millimeters



DP-042

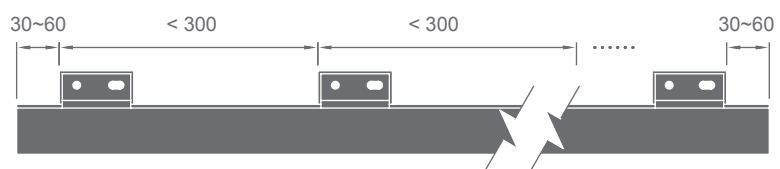
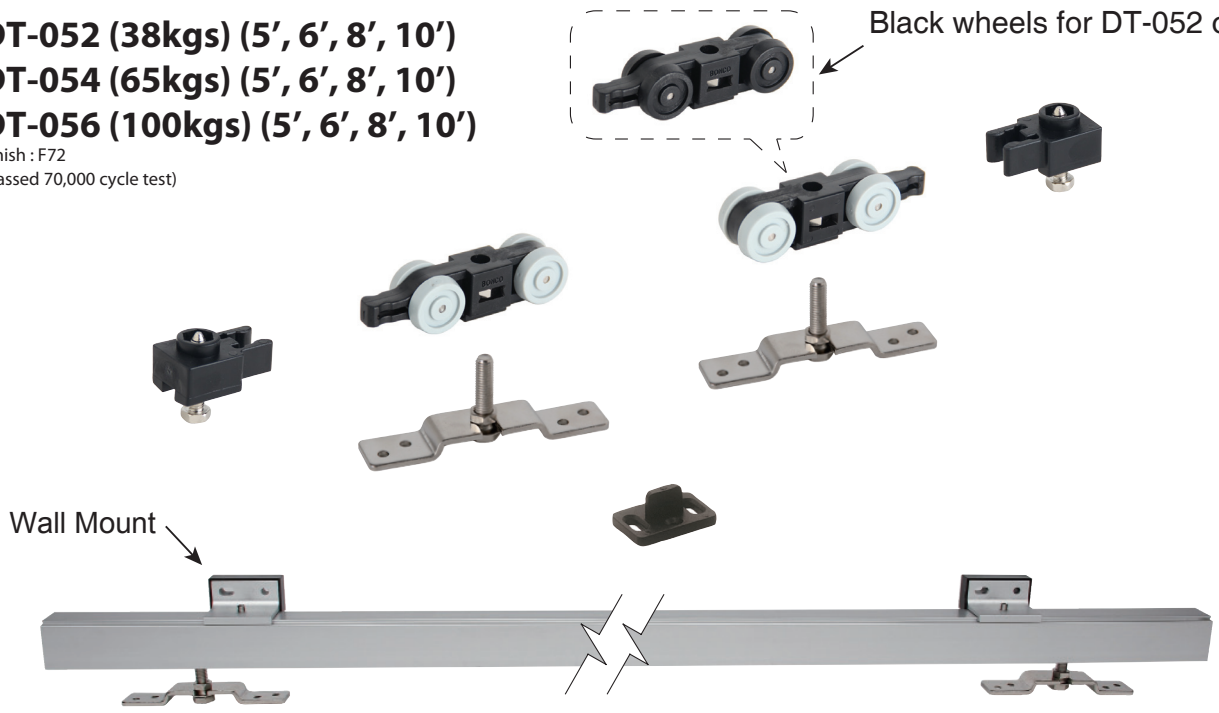


DP-042XL

# SLIDING DOOR TRACK SETS

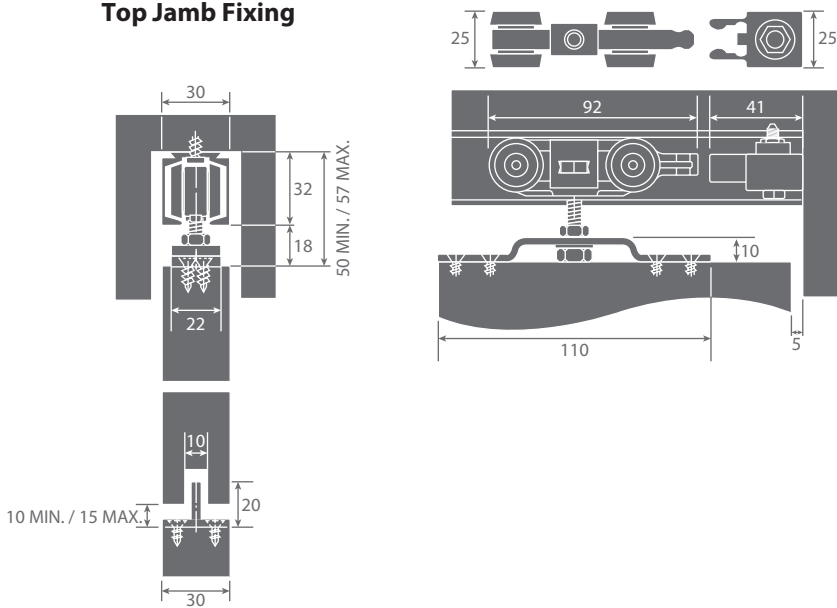
**DT-052 (38kgs) (5', 6', 8', 10')**  
**DT-054 (65kgs) (5', 6', 8', 10')**  
**DT-056 (100kgs) (5', 6', 8', 10')**  
 Finish : F72  
 (passed 70,000 cycle test)

Black wheels for DT-052 only.



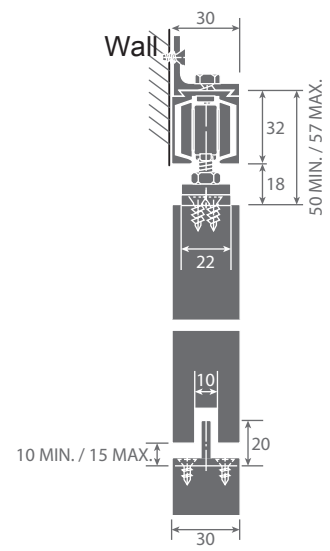
Use at least 3 wall mounts. Distance between wall mounts should be less than 300mm.

### Top Jamb Fixing



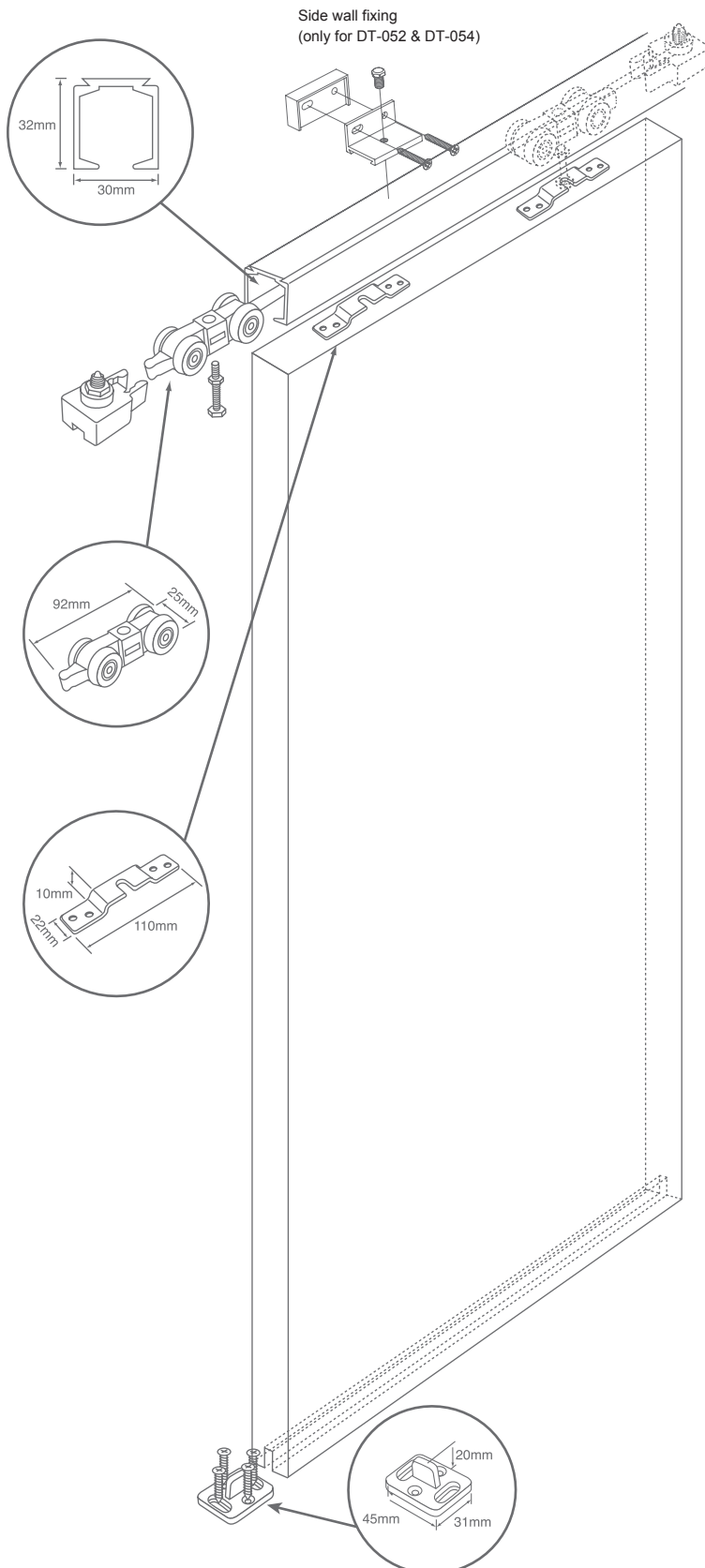
### Side Wall Fixing

Only For DT-052 & DT-054

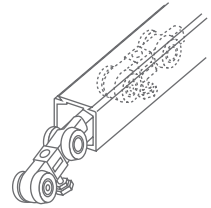


Dimensions in mm

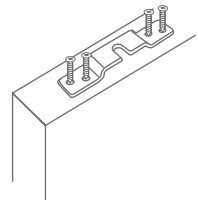
## Sliding Door Track Sets Installation



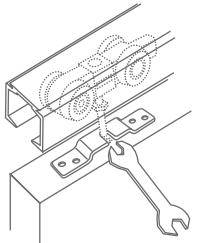
1. Install the track and insert the hangers



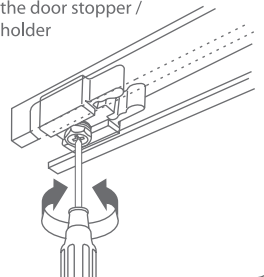
2. Install the brackets on doors



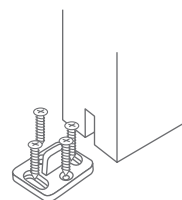
3. Hang the doors and make adjustment of door alignment



4. Install and adjust the door stopper / holder



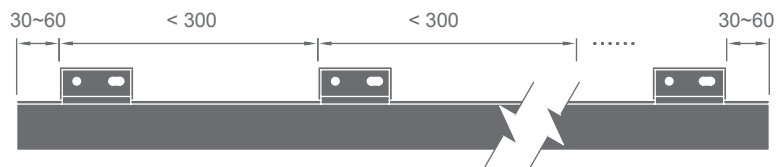
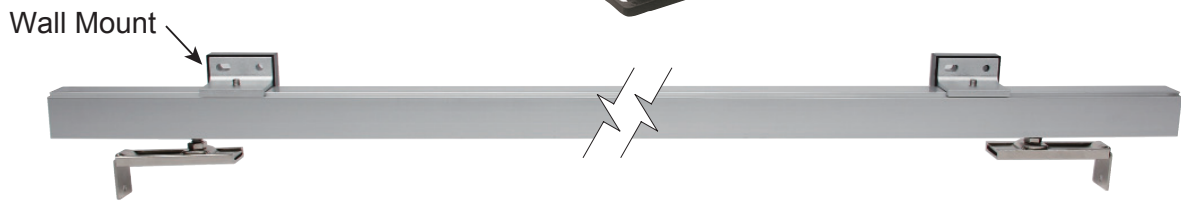
5. Install the floor guides



# SLIDING DOOR TRACK SETS

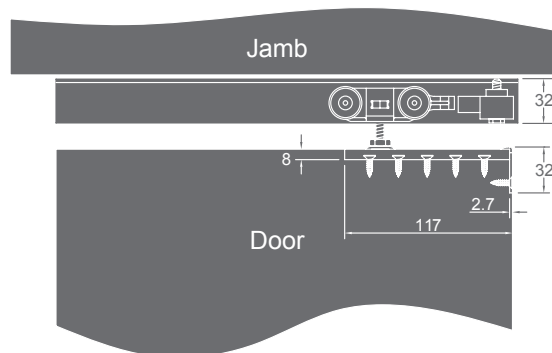
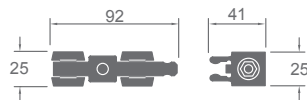
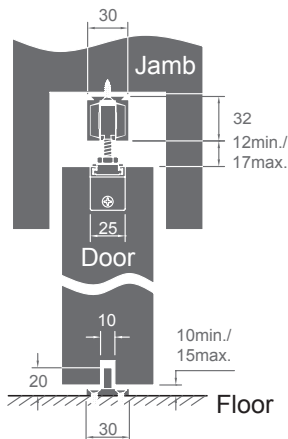
**DT-052T (38kgs) (5', 6', 8', 10')**  
**DT-054T (65kgs) (5', 6', 8', 10')**  
**DT-056T (90kgs) (5', 6', 8', 10')**

Finish : F72  
 (passed 70,000 cycle test)

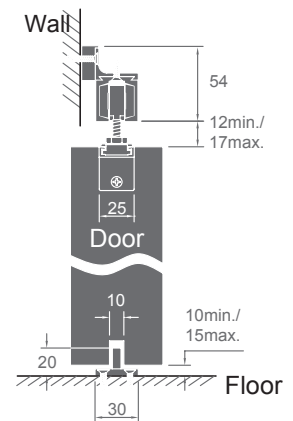


Use at least 3 wall mounts. Distance between wall mounts should be less than 300mm.

### Top Jamb Fixing

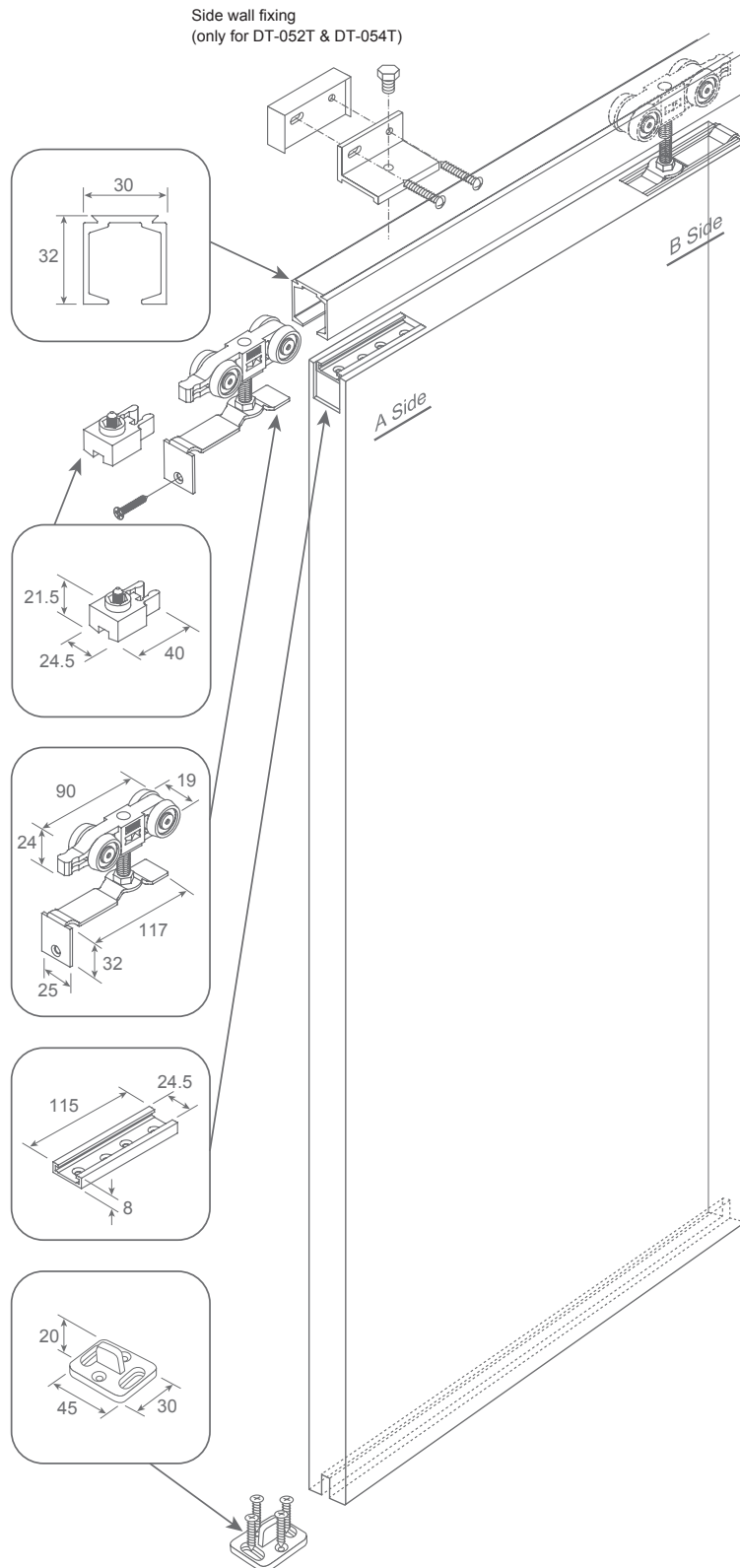


### Side Wall Fixing (Only for DT-052T)



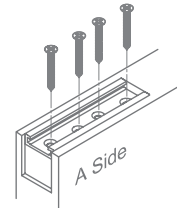
Dimensions in mm

# Sliding Door Track Sets Installation

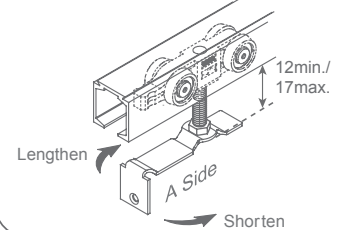


For each step, repeat instructions on 'A side' for 'B side'

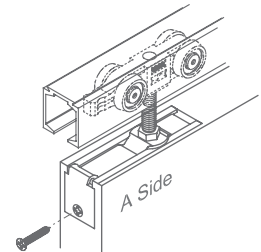
1. Fix door bracket to the door with screws.



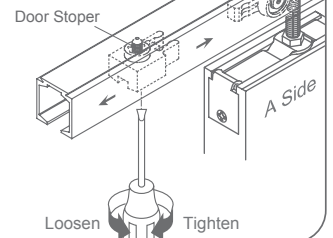
2. Insert hanger rollers into the track. Rotate to adjust height as needed.



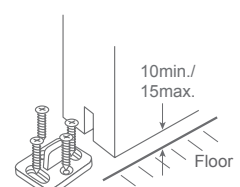
3. Slide hanger plates into door bracket and fix with screw.



4. Insert door stopper / holder into the track and secure in place with wrench. Adjust tightness of hold as needed with screwdriver.



5. Fix door guide to the floor with screws

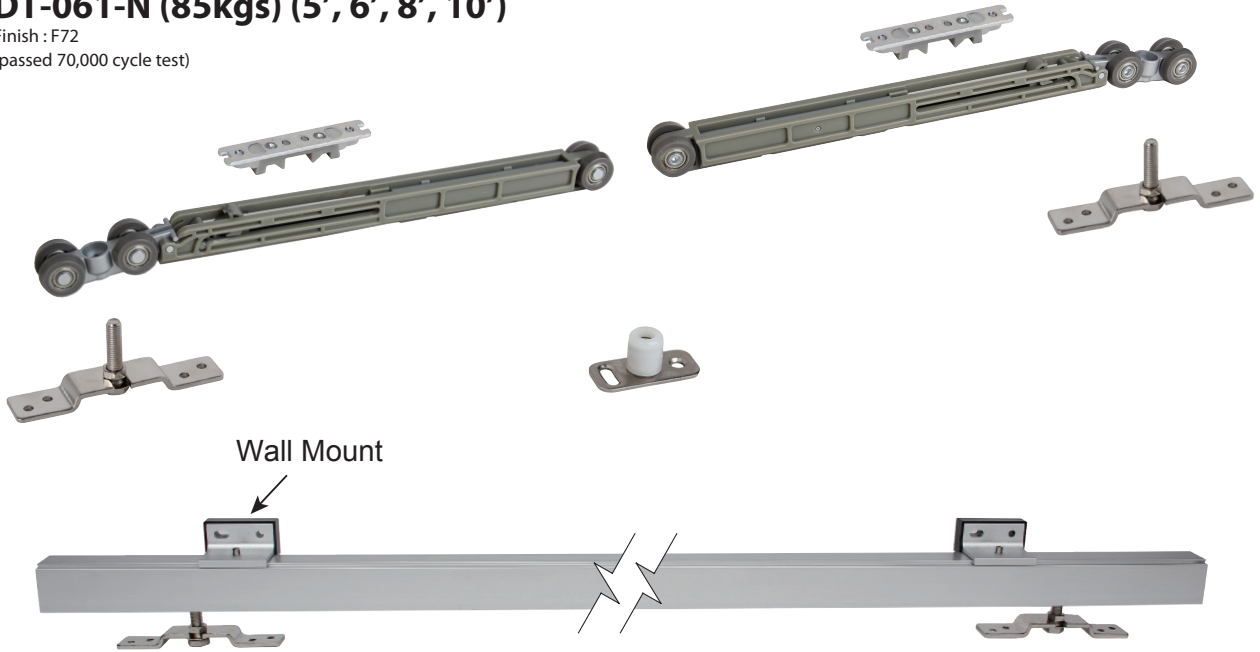




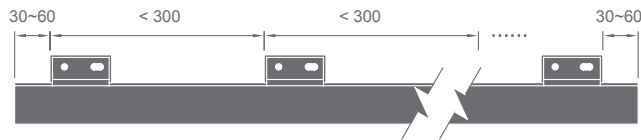
# SLIDING DOOR TRACK SETS

## DT-061-N (85kgs) (5', 6', 8', 10')

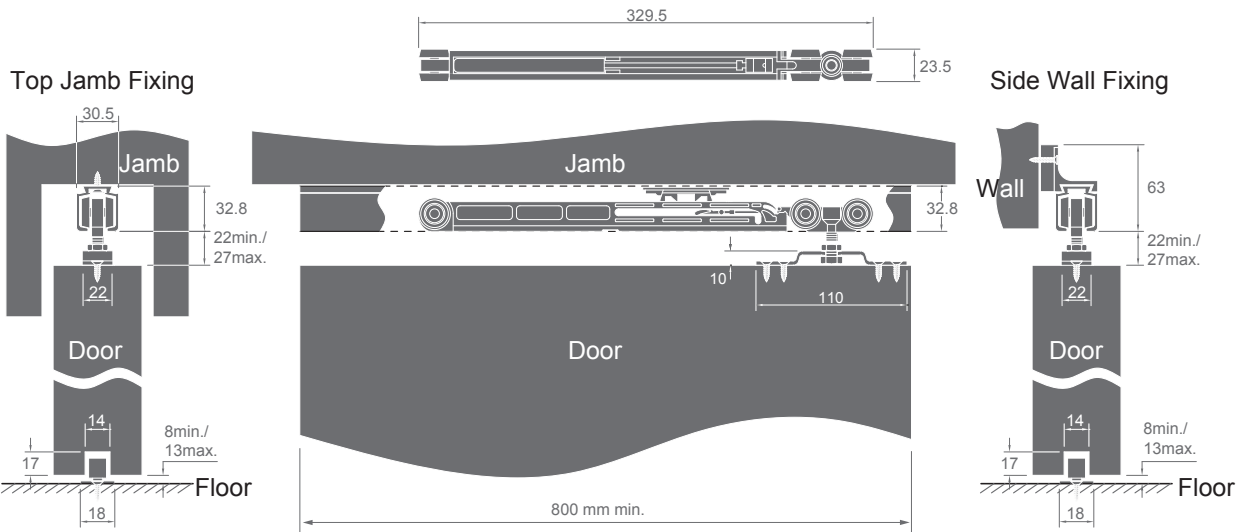
Finish : F72  
(passed 70,000 cycle test)



Wall Mount

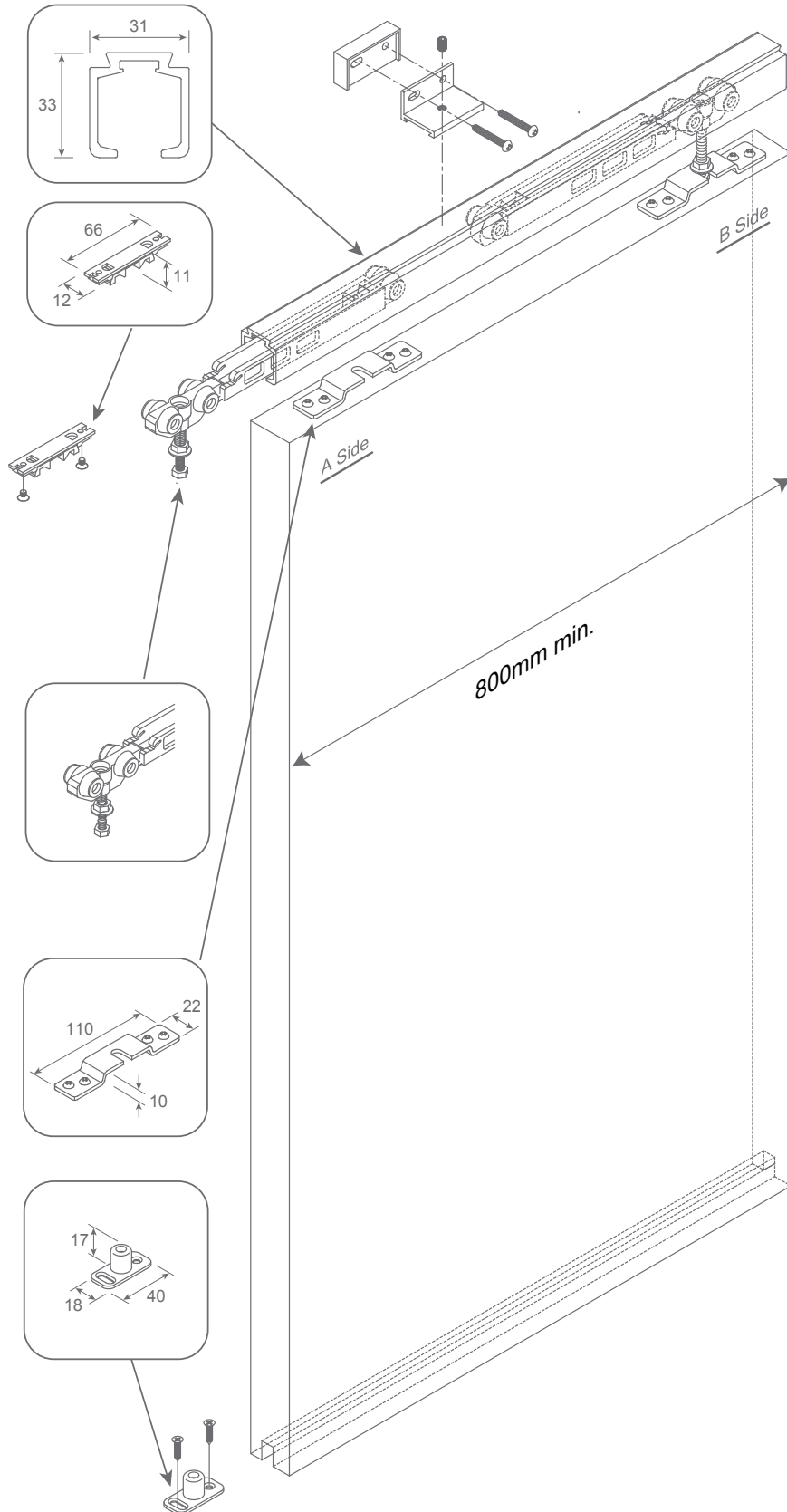


Use at least 3 wall mounts. Distance between wall mounts should be less than 300mm.



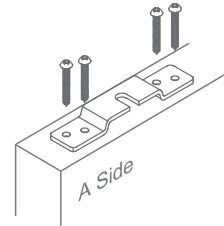
Dimensions in mm

## Sliding Door Track Sets Installation

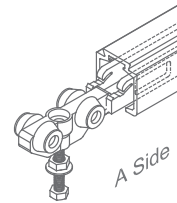


For each step, repeat instructions on 'A side' for 'B side'.

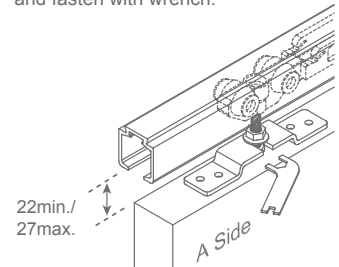
1. Fix door bracket to the door with screws.



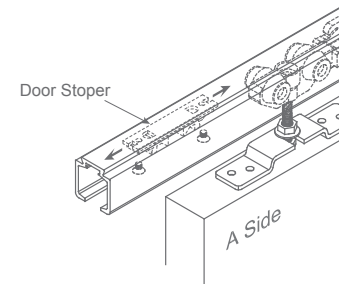
2. Insert hanger rollers into the track.



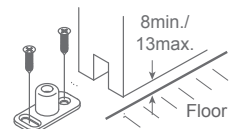
3. Slide hanger plates into door bracket and fasten with wrench.



4. Insert door stopper / holder into the track and secure in place with screws.



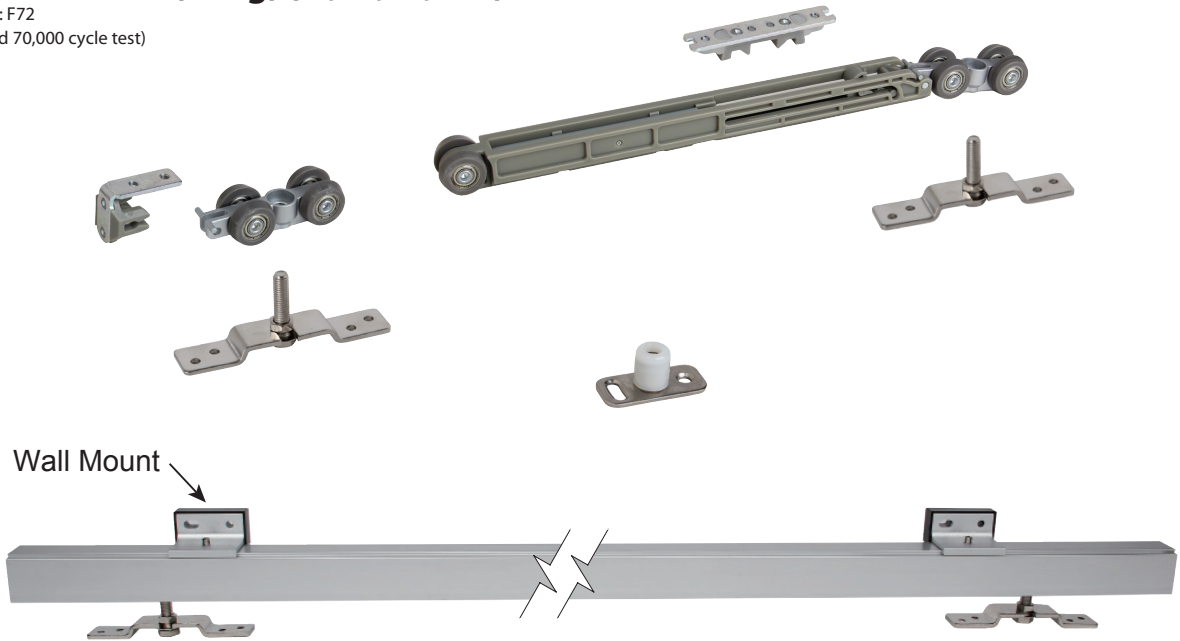
5. Fix door guide to the floor with screws



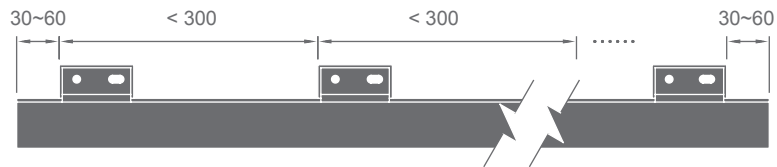
# SLIDING DOOR TRACK SETS

## DT-061-SH-N (85kg) (5', 6', 8', 10')

Finish : F72  
(passed 70,000 cycle test)

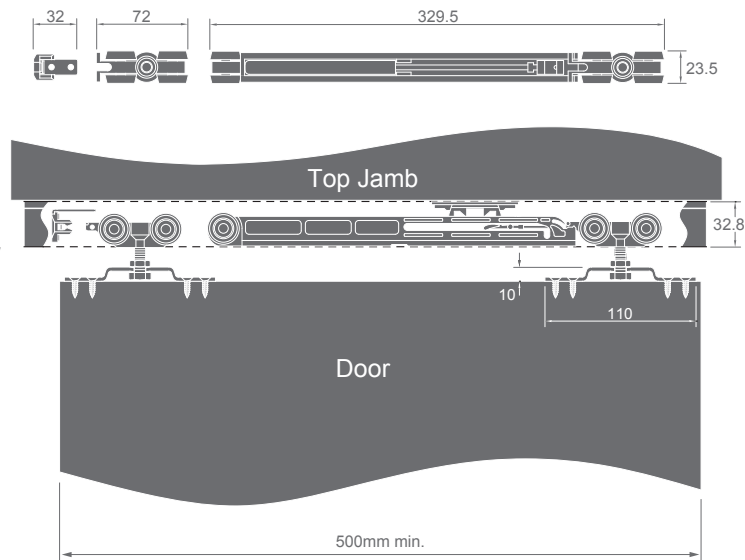
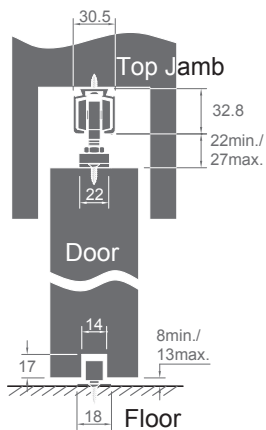


Wall Mount

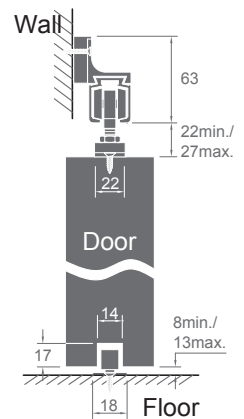


Use at least 3 wall mounts. Distance between wall mounts should be less than 300mm.

### Top Jamb Fixing



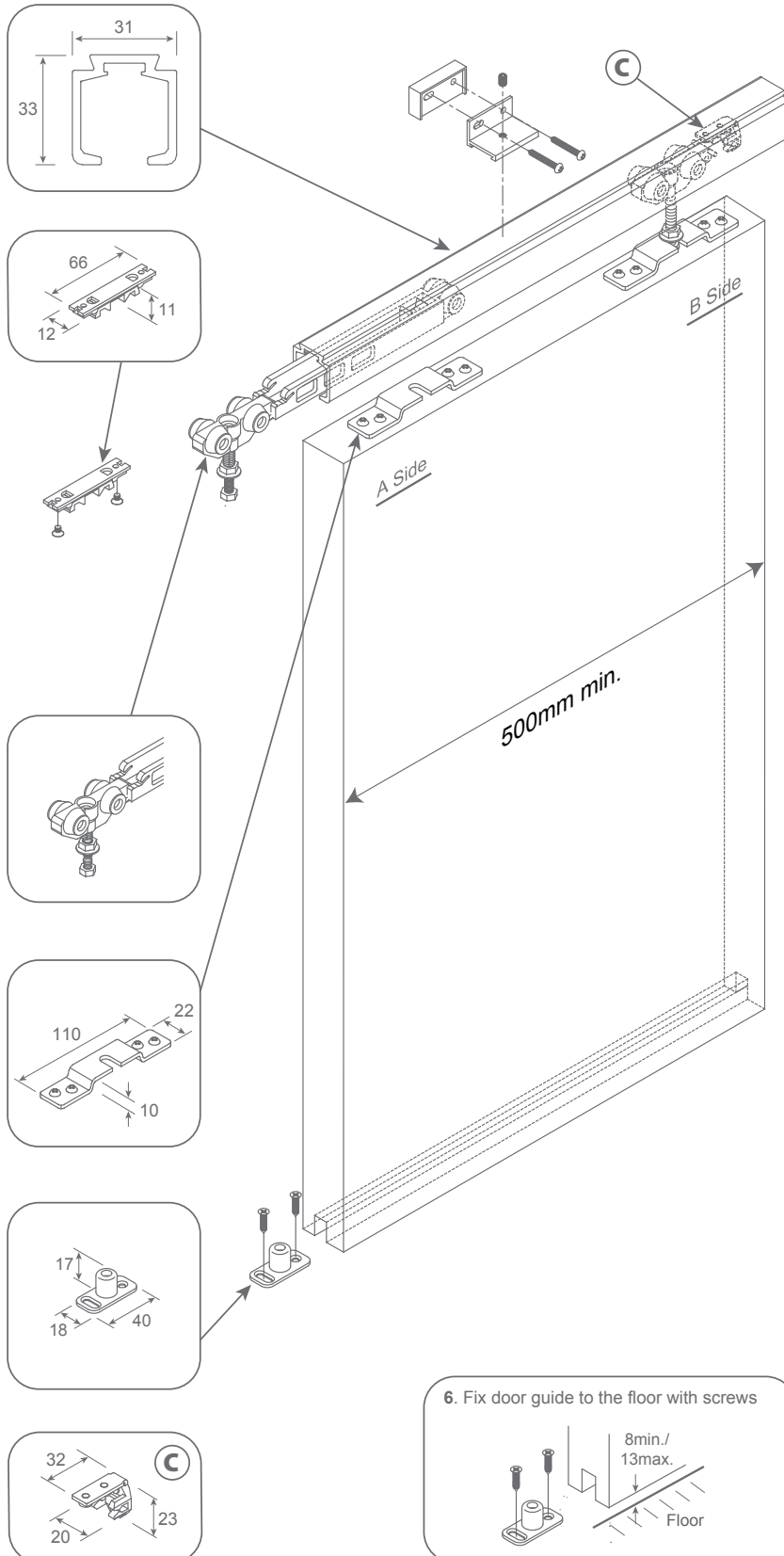
### Side Wall Fixing



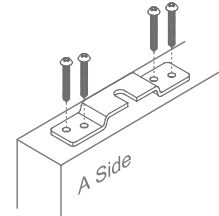
Dimensions in mm

# Sliding Door Track Sets Installation

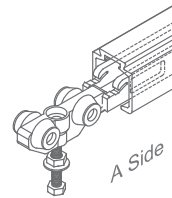
For steps 1 to 3, repeat instructions on 'A side' for 'B side'.



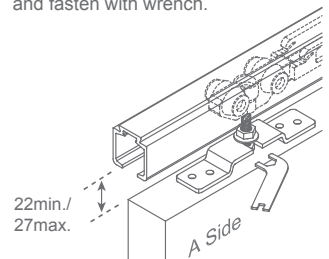
1. Fix door bracket to the door with screws.



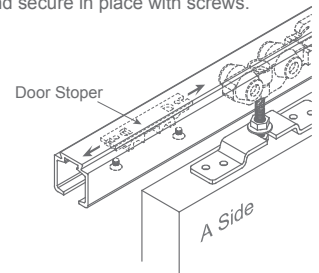
2. Insert hanger rollers into the track.



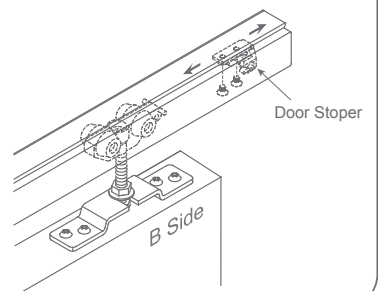
3. Slide hanger plates into door bracket and fasten with wrench.



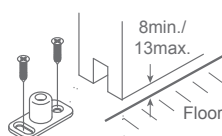
4. Insert door stopper / holder into the track and secure in place with screws.



5. Insert door stopper / holder into the track and secure in place with screws.



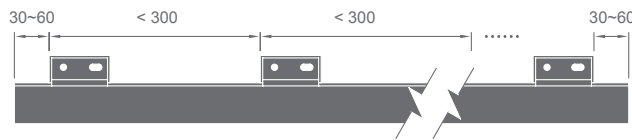
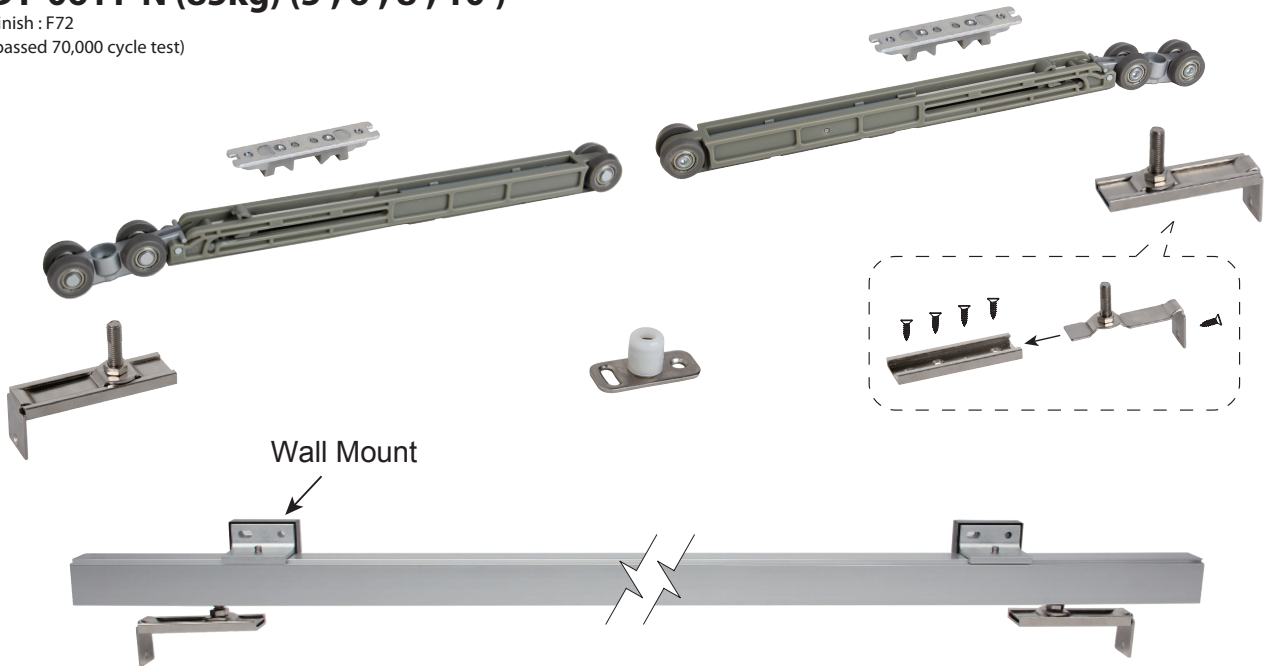
6. Fix door guide to the floor with screws



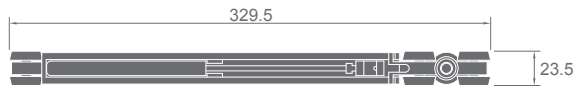
# SLIDING DOOR TRACK SETS

## DT-061T-N (85kg) (5', 6', 8', 10')

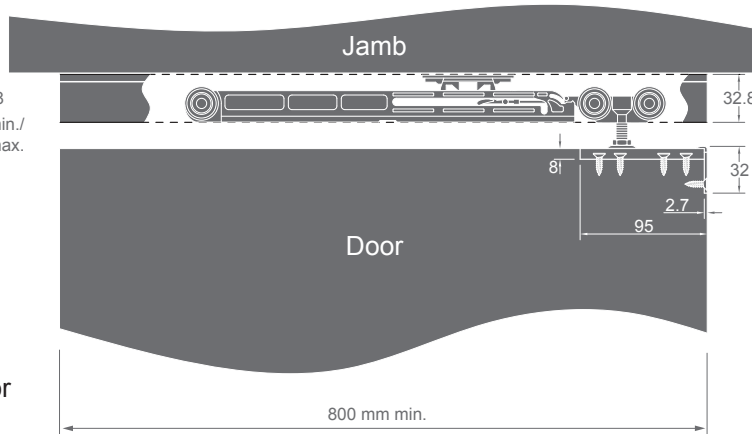
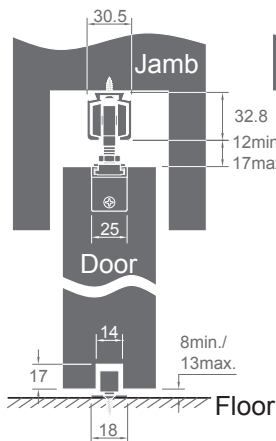
Finish : F72  
(passed 70,000 cycle test)



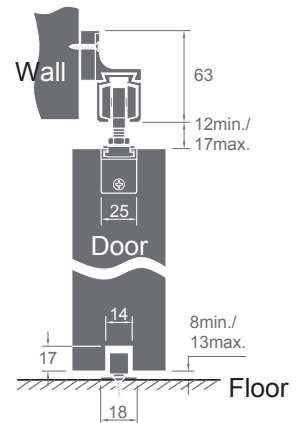
Use at least 3 wall mounts. Distance between wall mounts should be less than 300mm.



### Top Jamb Fixing

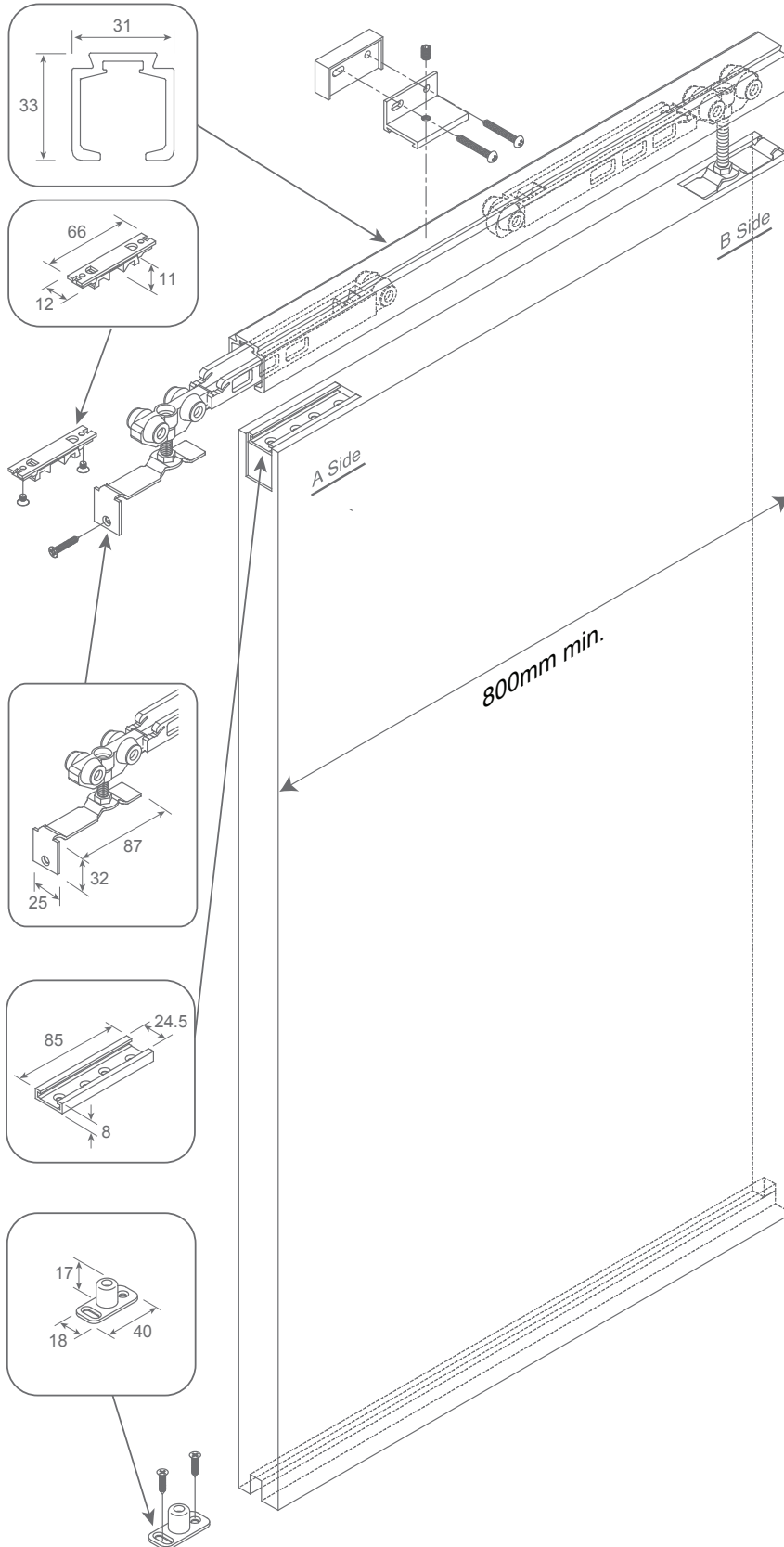


### Side Wall Fixing



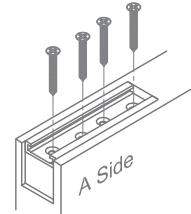
Dimensions in mm

## Sliding Door Track Sets Installation

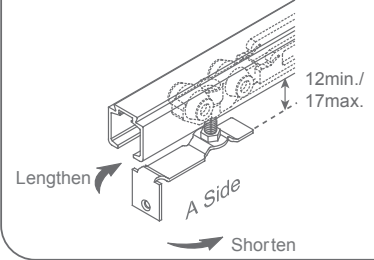


For each step, repeat instructions on 'A side' for 'B side'.

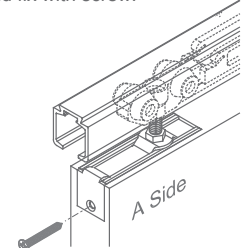
1. Fix door bracket to the door with screws.



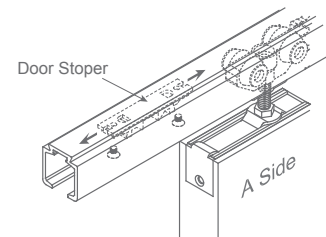
2. Insert hanger rollers into the track. Rotate to adjust height as needed.



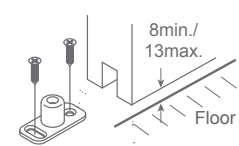
3. Slide hanger plates into door bracket and fix with screw.



4. Insert door stopper / holder into the track and secure in place with screws.



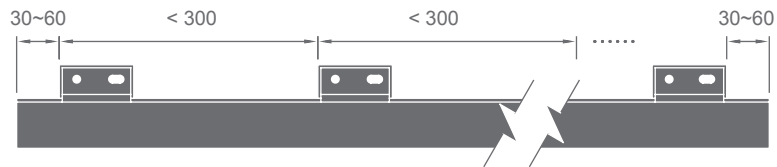
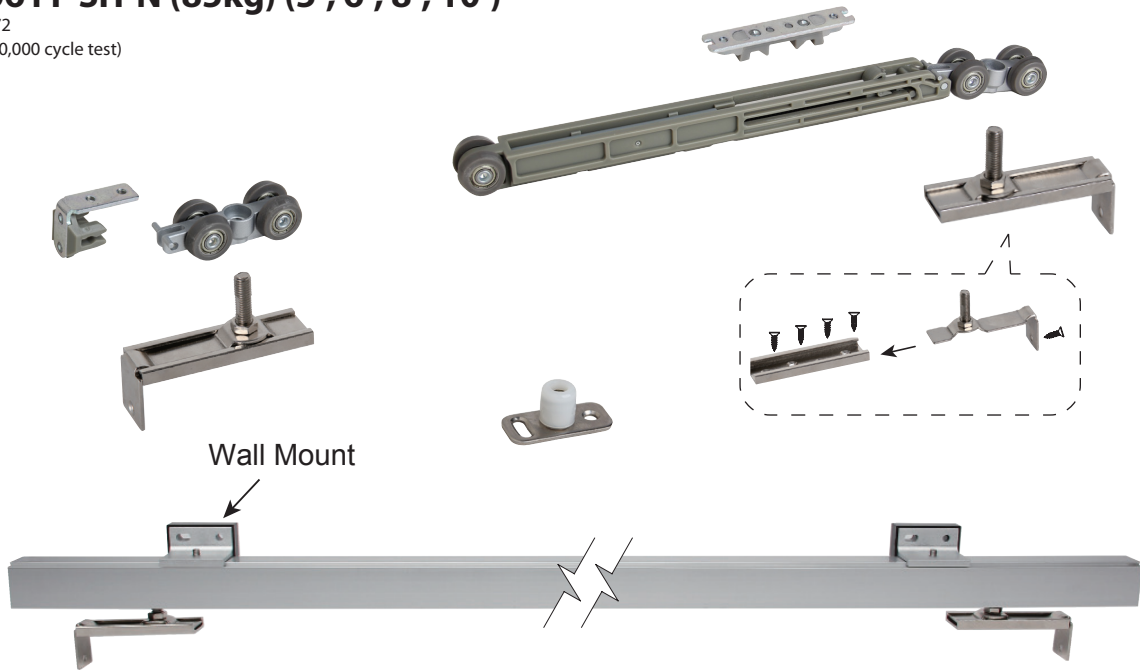
5. Fix door guide to the floor with screws



# SLIDING DOOR TRACK SETS

## DT-061T-SH-N (85kg) (5', 6', 8', 10')

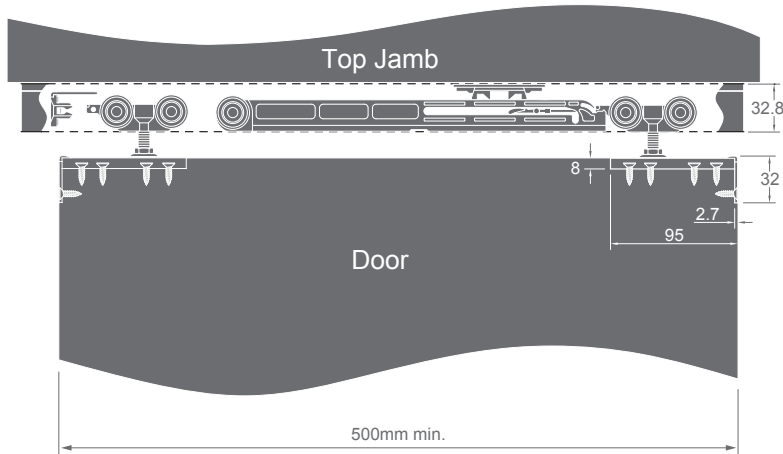
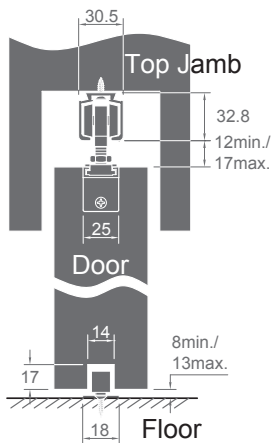
Finish : F72  
(passed 70,000 cycle test)



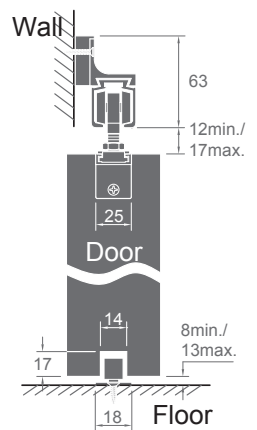
Use at least 3 wall mounts. Distance between wall mounts should be less than 300mm.



### Top Jamb Fixing

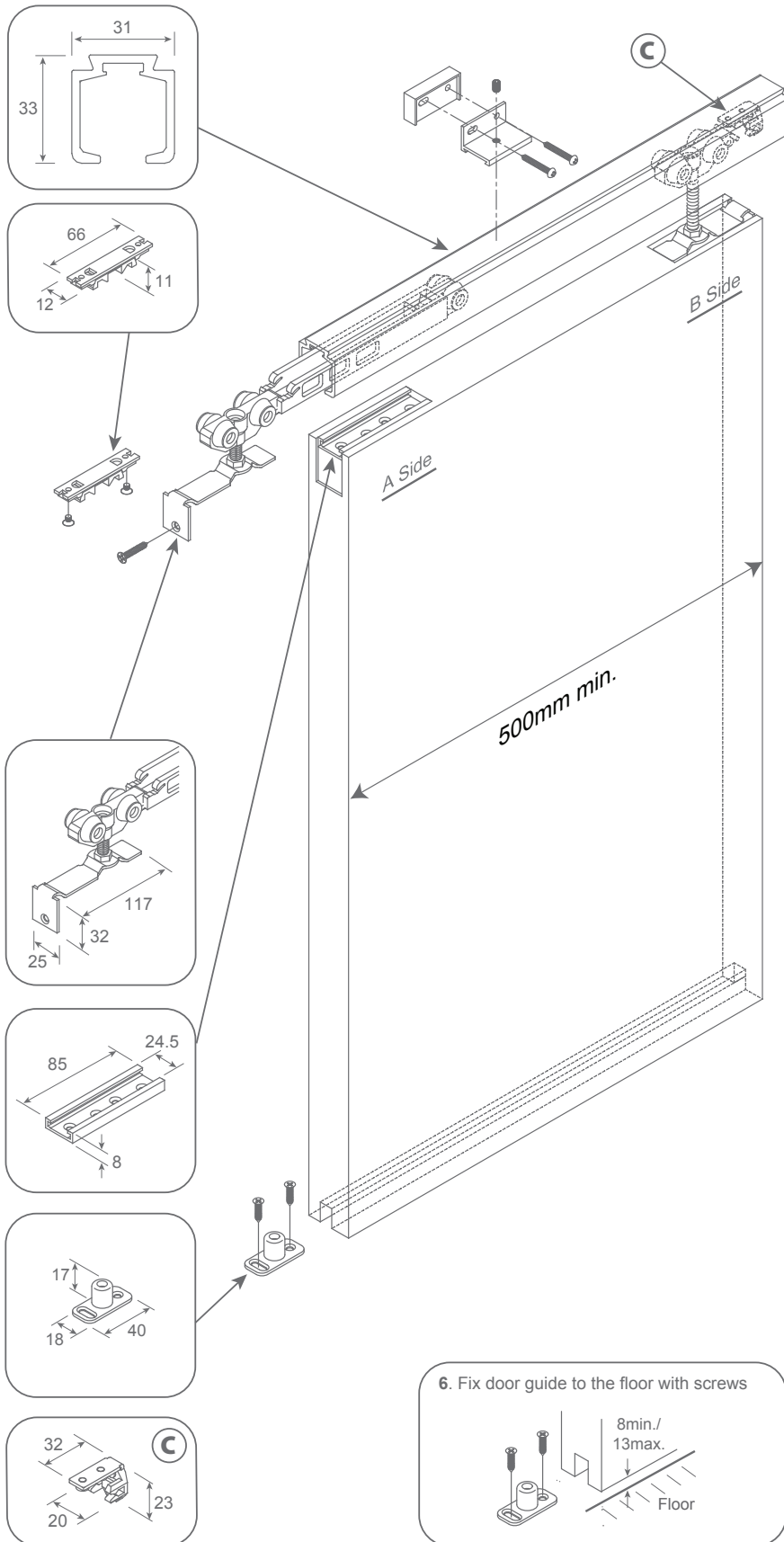


### Side Wall Fixing



Dimensions in mm

# Sliding Door Track Sets Installation



For steps 1 to 3, repeat instructions on 'A side' for 'B side'.

**1. Fix door bracket to the door with screws.**

**2. Insert hanger rollers into the track. Rotate to adjust height as needed.**

**3. Slide hanger plates into door bracket and fix with screw.**

**4. Insert door stopper / holder into the track and secure in place with screws.**

**5. Insert door stopper / holder into the track and secure in place with screws.**

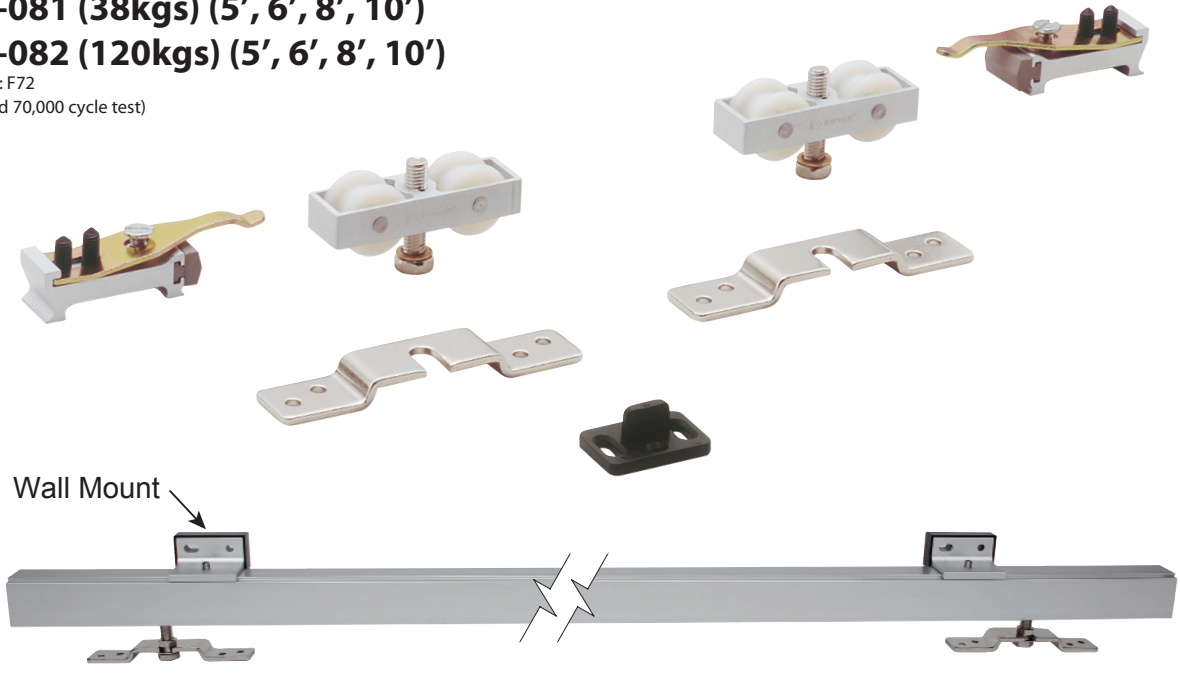
**6. Fix door guide to the floor with screws**



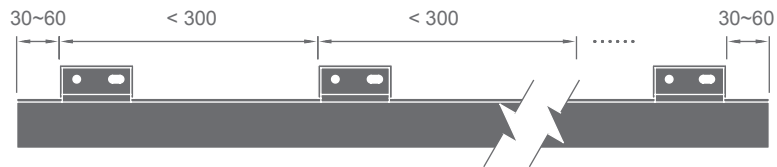
# SLIDING DOOR TRACK SETS

**DT-081 (38kgs) (5', 6', 8', 10')**  
**DT-082 (120kgs) (5', 6', 8', 10')**

Finish : F72  
 (passed 70,000 cycle test)

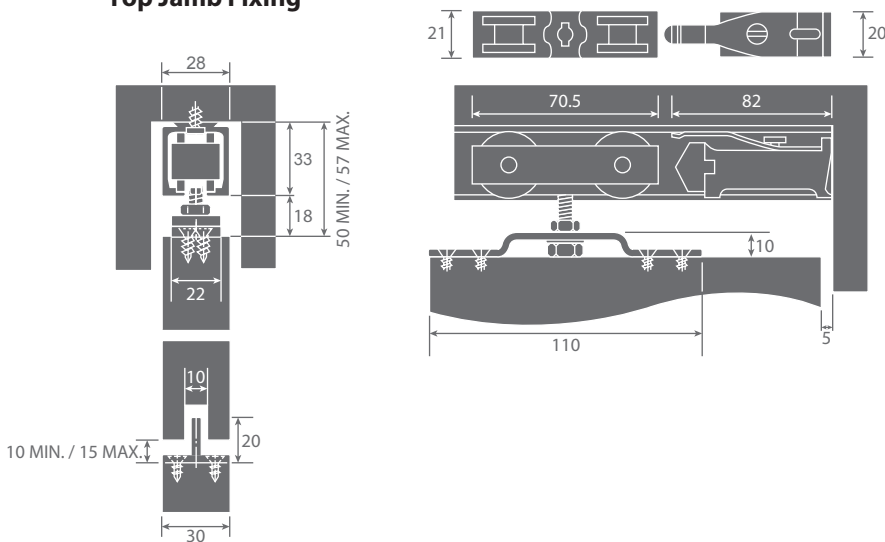


Wall Mount

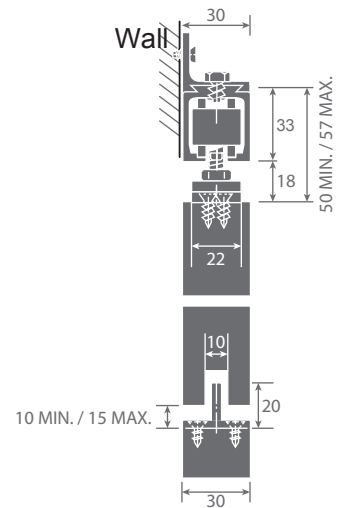


Use at least 3 wall mounts. Distance between wall mounts should be less than 300mm.

### Top Jamb Fixing

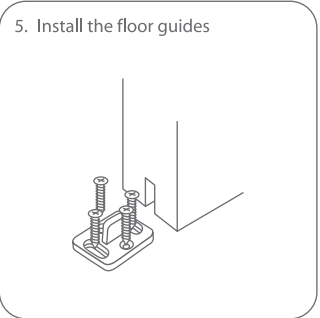
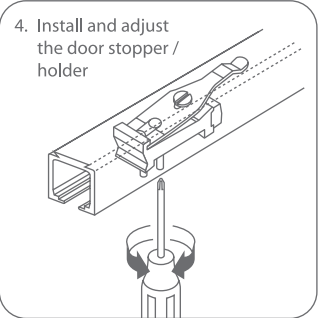
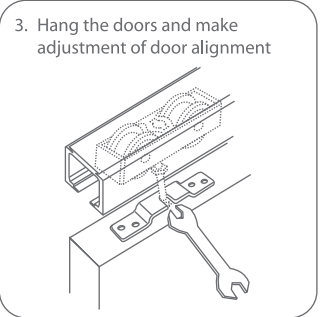
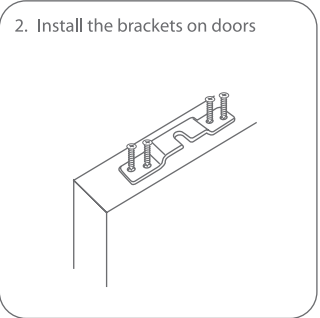
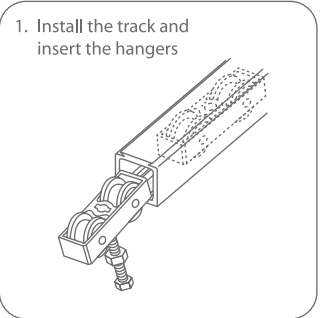
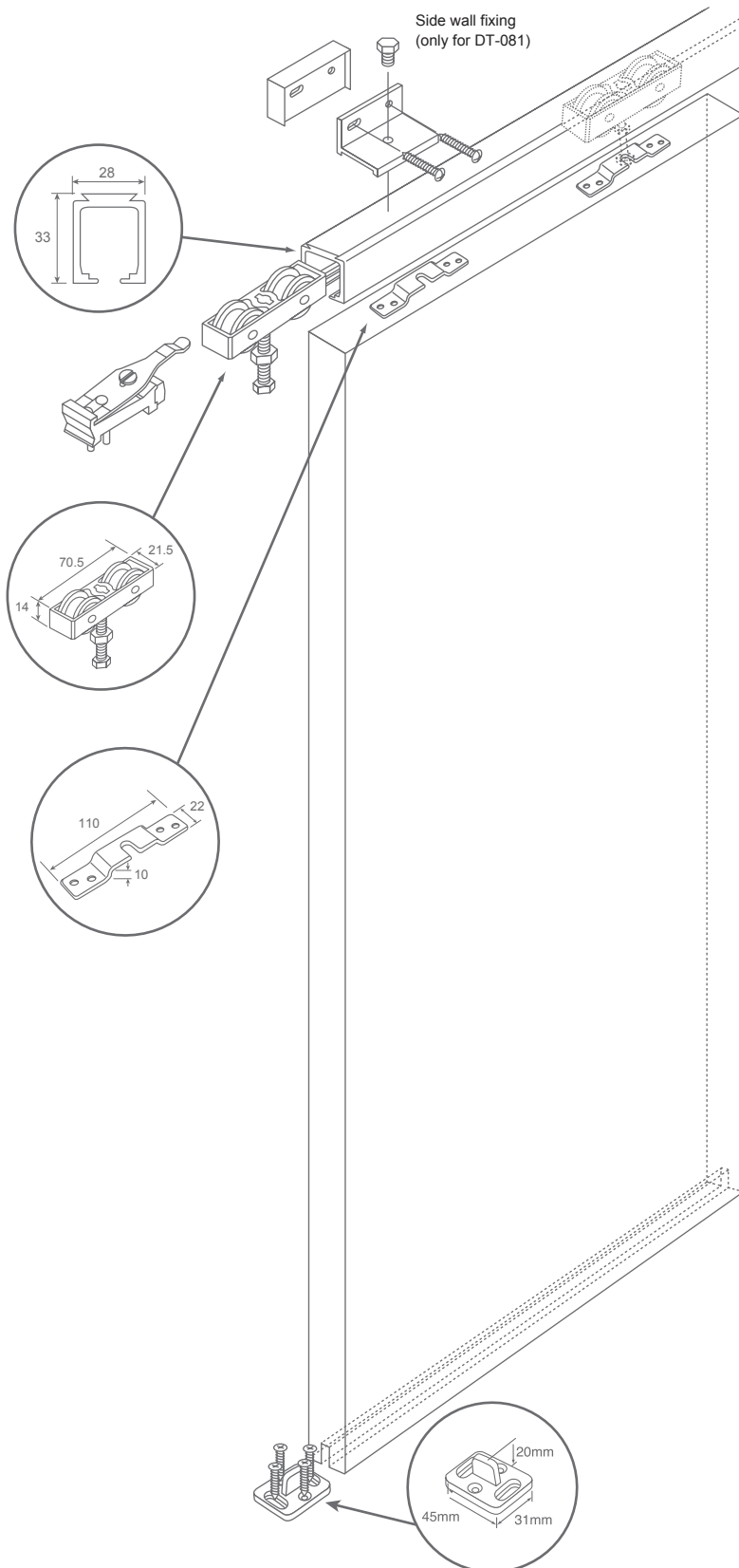


### Side Wall Fixing Only For DT-081



Dimensions in mm

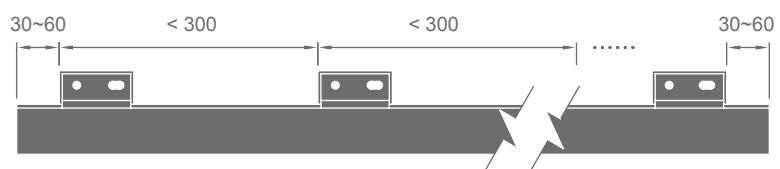
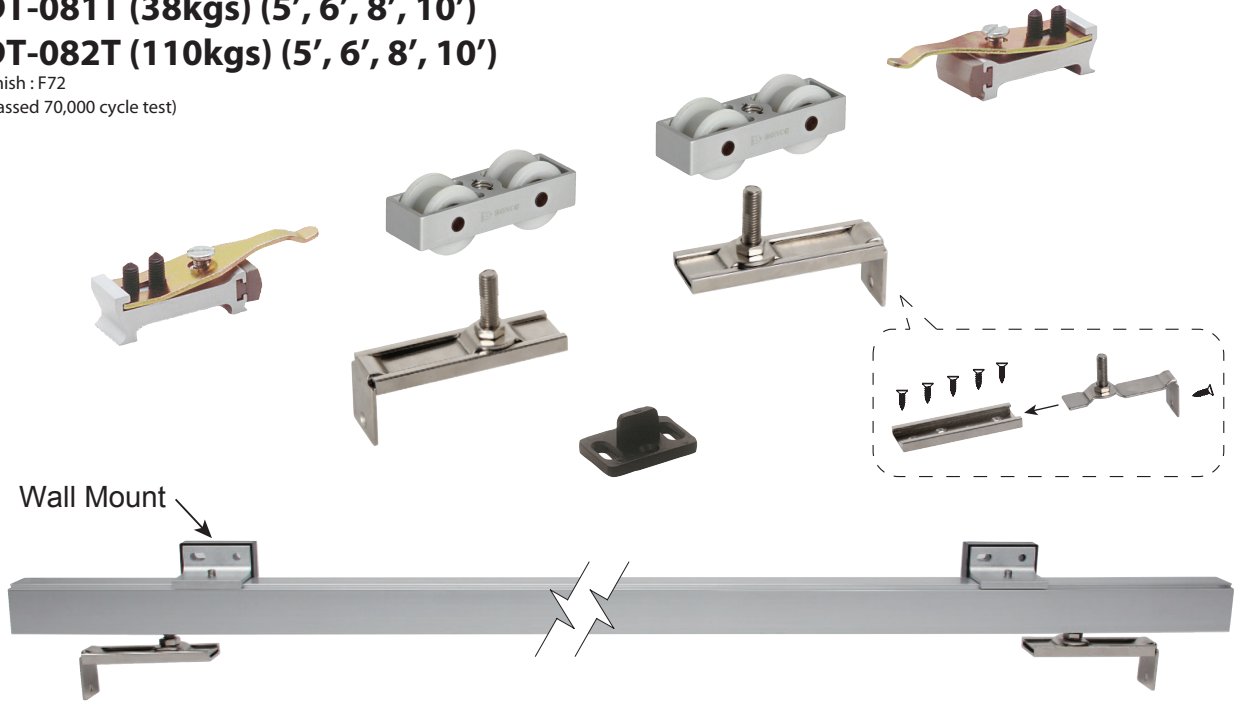
## Sliding Door Track Sets Installation



# SLIDING DOOR TRACK SETS

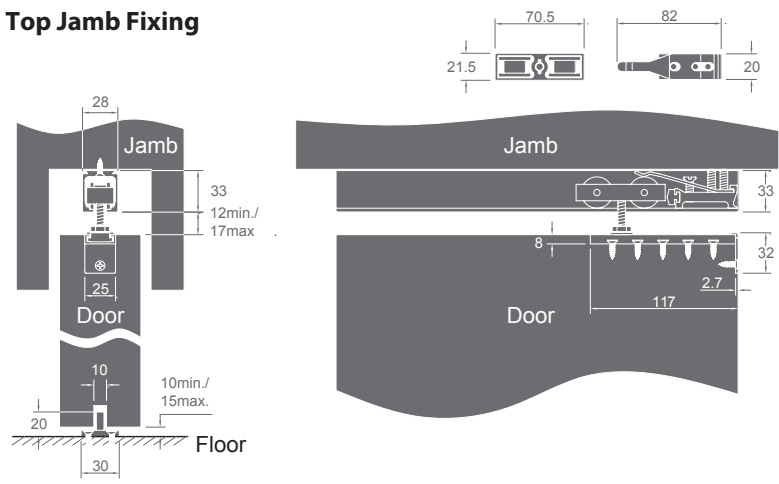
**DT-081T (38kgs) (5', 6', 8', 10')**  
**DT-082T (110kgs) (5', 6', 8', 10')**

Finish : F72  
 (passed 70,000 cycle test)

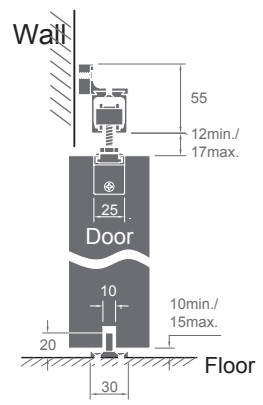


Use at least 3 wall mounts. Distance between wall mounts should be less than 300mm.

### Top Jamb Fixing

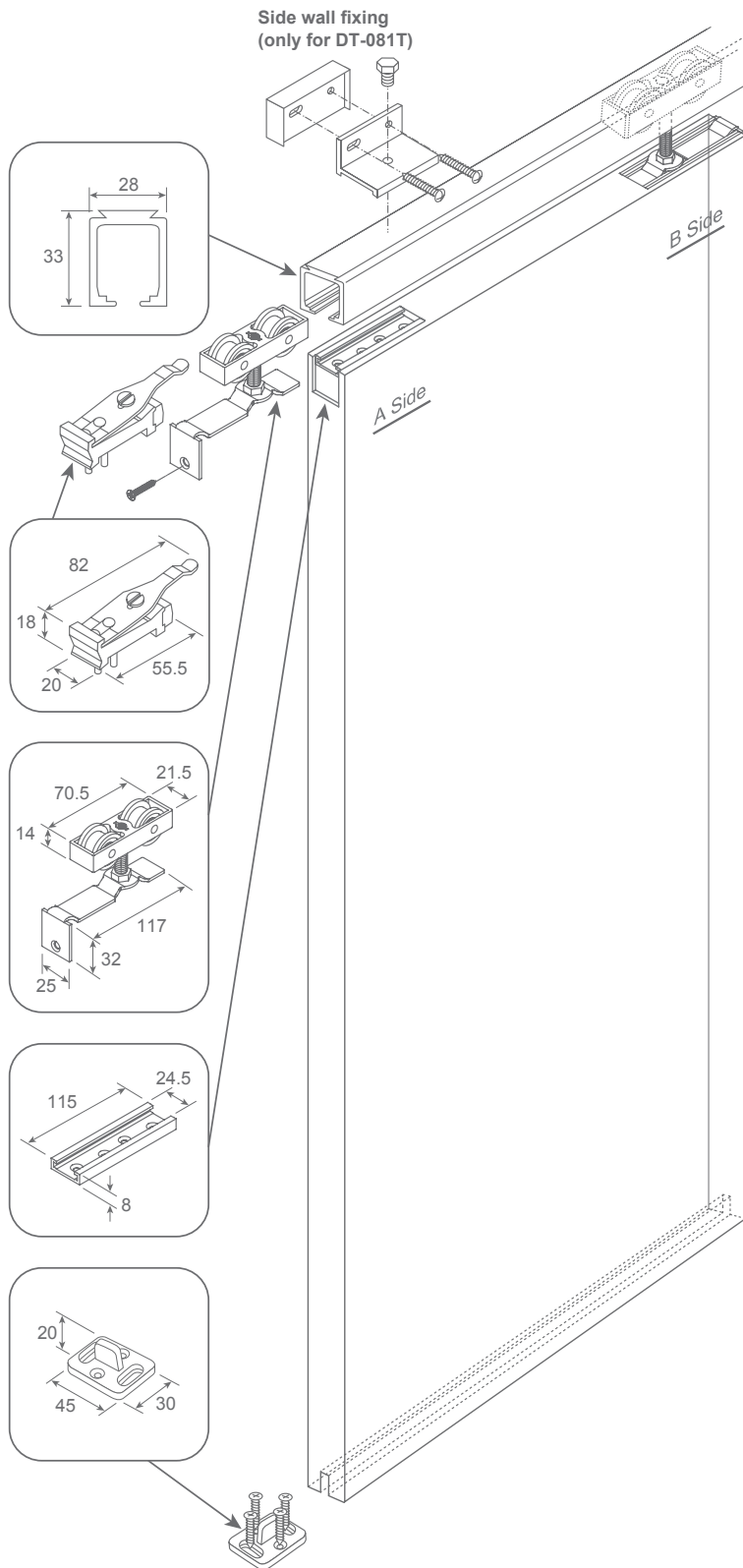


### Side Wall Fixing Only For DT-081T



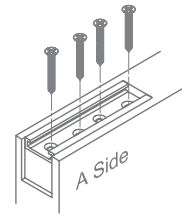
Dimensions in mm

# Sliding Door Track Sets Installation

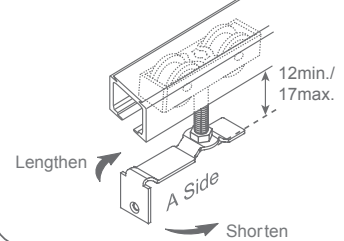


For each step, repeat instructions on 'A side' for 'B side'.

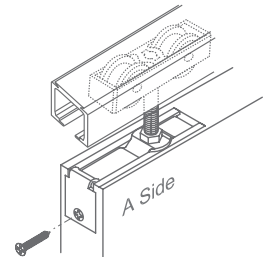
1. Fix door bracket to the door with screws.



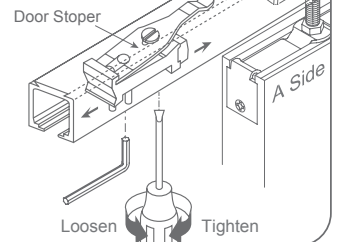
2. Insert hanger rollers into the track. Rotate to adjust height as needed.



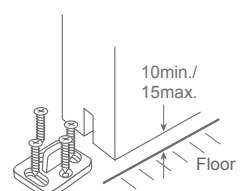
3. Slide hanger plates into door bracket and fix with screw.



4. Insert door stopper / holder into the track and secure in place with wrench. Adjust tightness of hold as needed with screwdriver.



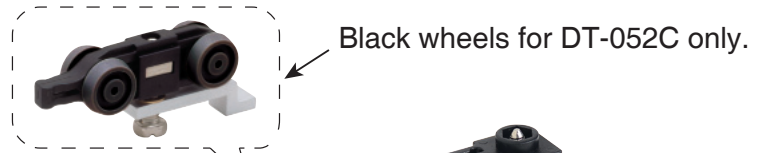
5. Fix door guide to the floor with screws.



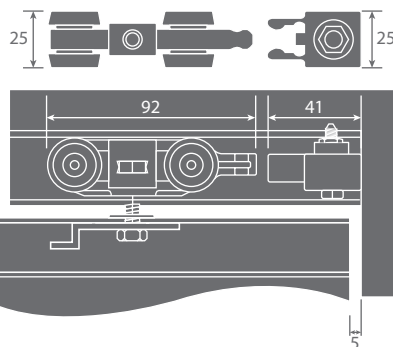
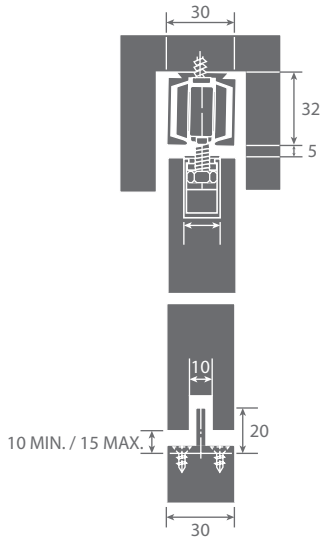
# CONCEALED TYPE SLIDING DOOR TRACK SETS

**DT-052C (38kgs) (5', 6', 8', 10')**  
**DT-054C (65kgs) (5', 6', 8', 10')**

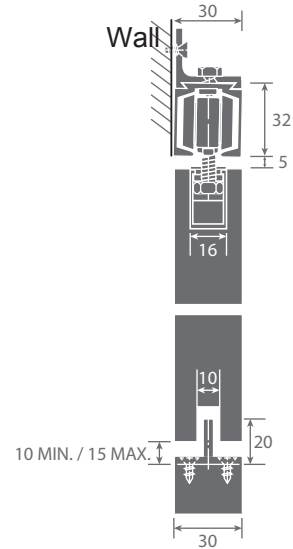
Finish : F72  
 (passed 70,000 cycle test)



### Top Jamb Fixing

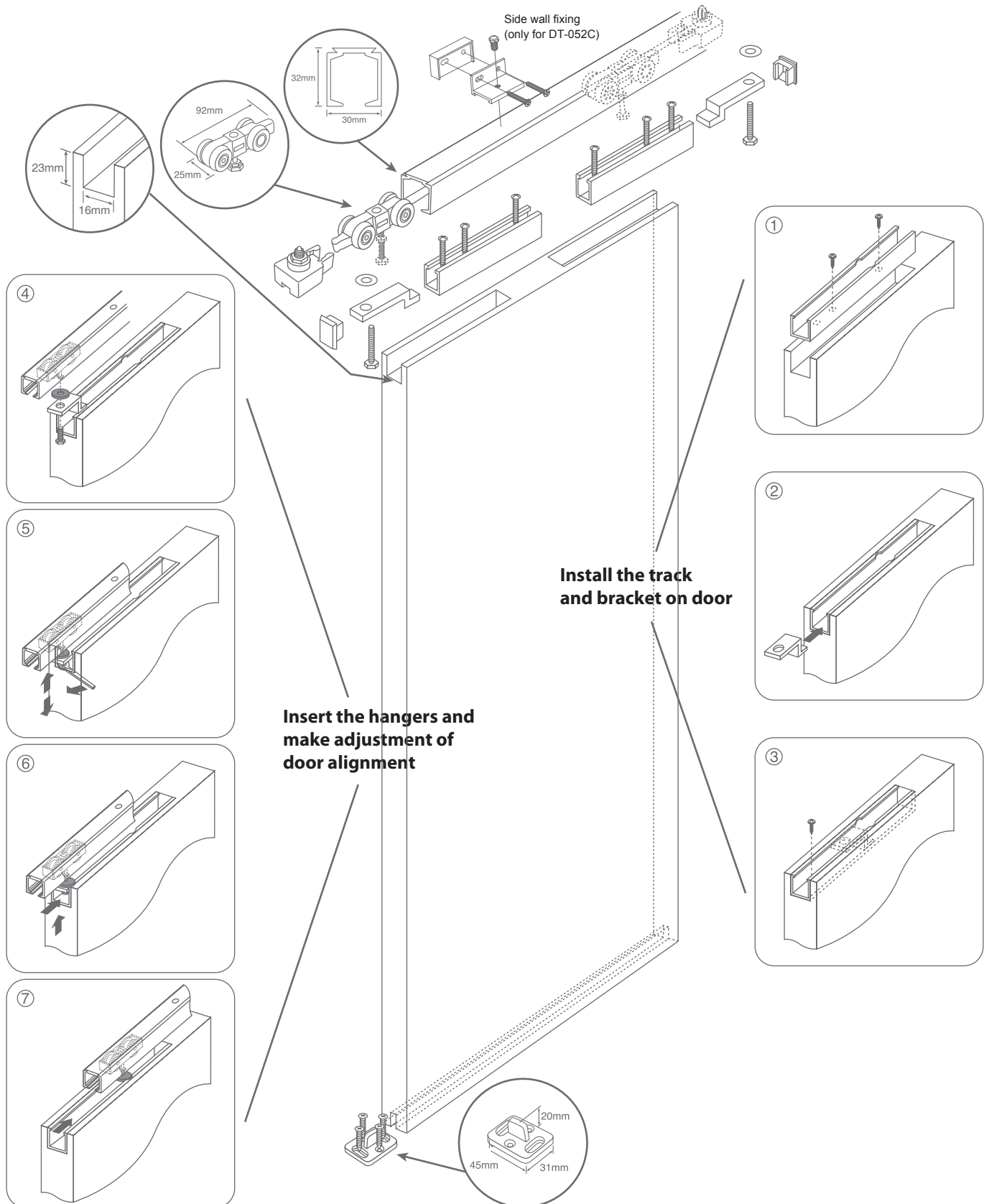


### Side Wall Fixing Only For DT-052C



Dimensions in mm

# Concealed Type Sliding Door Track Sets Installation



# CONCEALED TYPE SLIDING DOOR TRACK SETS

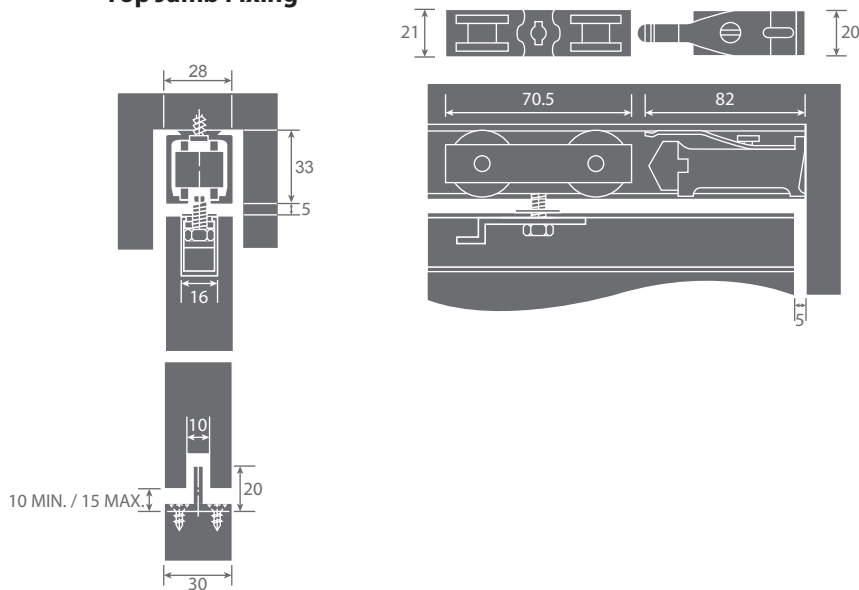
**DT-081C (38kgs) (5', 6', 8', 10')**

**DT-082C (65kgs) (5', 6', 8', 10')**

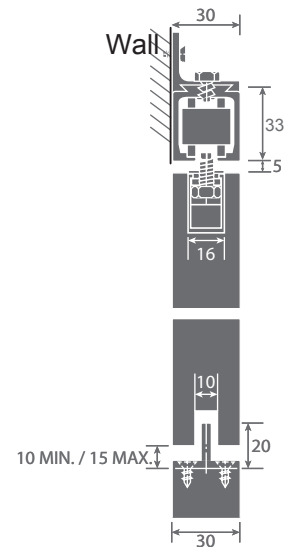
Finish : F72  
(passed 70,000 cycle test)



**Top Jamb Fixing**

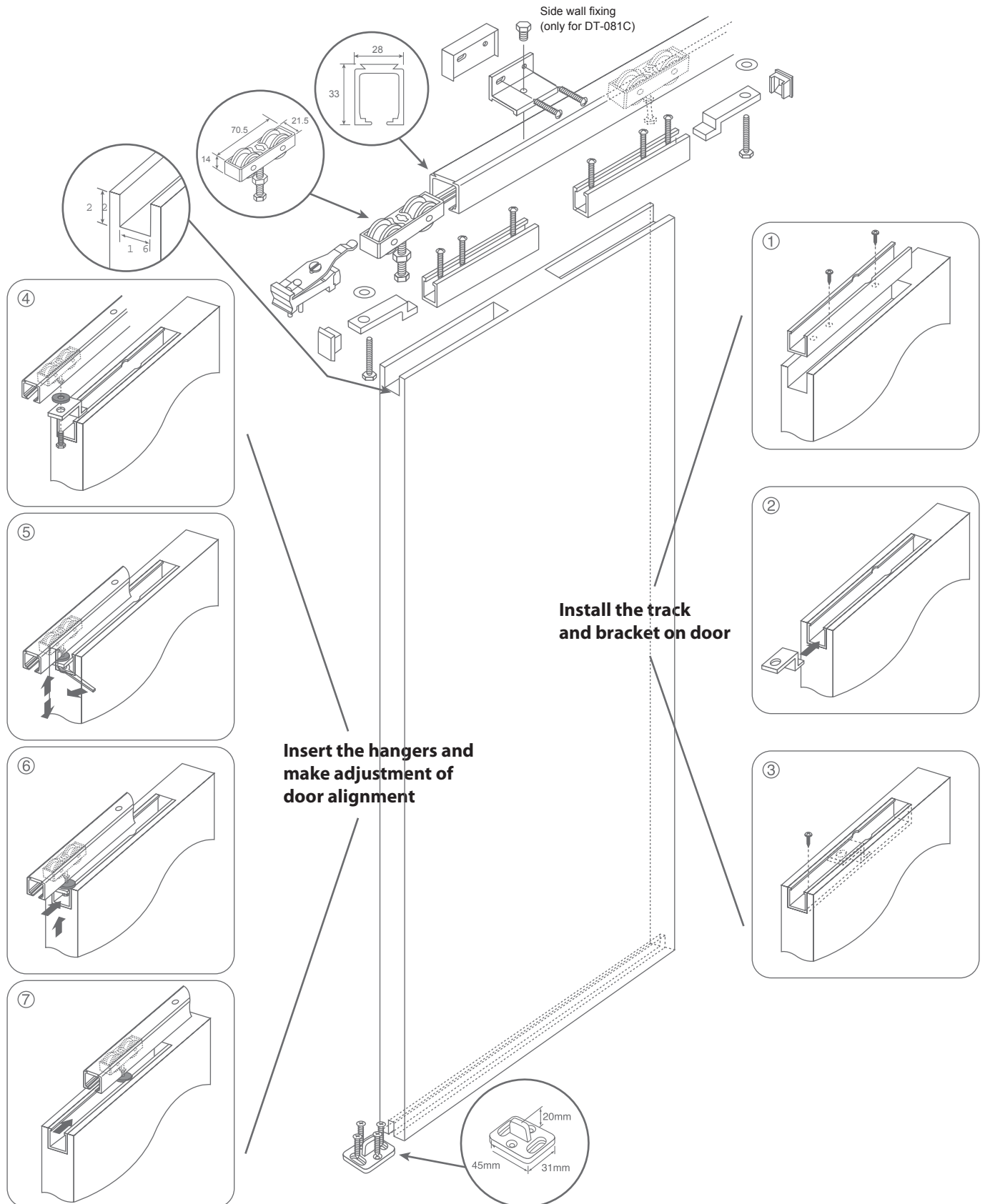


**Side Wall Fixing  
Only For DT-081C**



Dimensions in mm

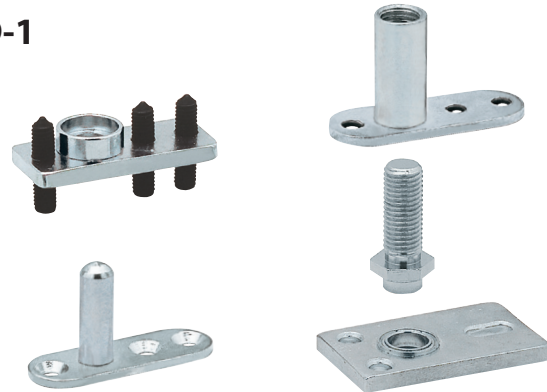
# Concealed Type Sliding Door Track Sets Installation





# FOLDING TYPE SLIDING DOOR TRACK SETS

**DT-081FD-1**



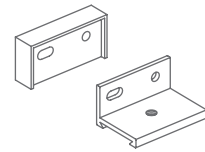
**DT-081FD-2**



**DT-081FD-3**



**DT-081FD-4**



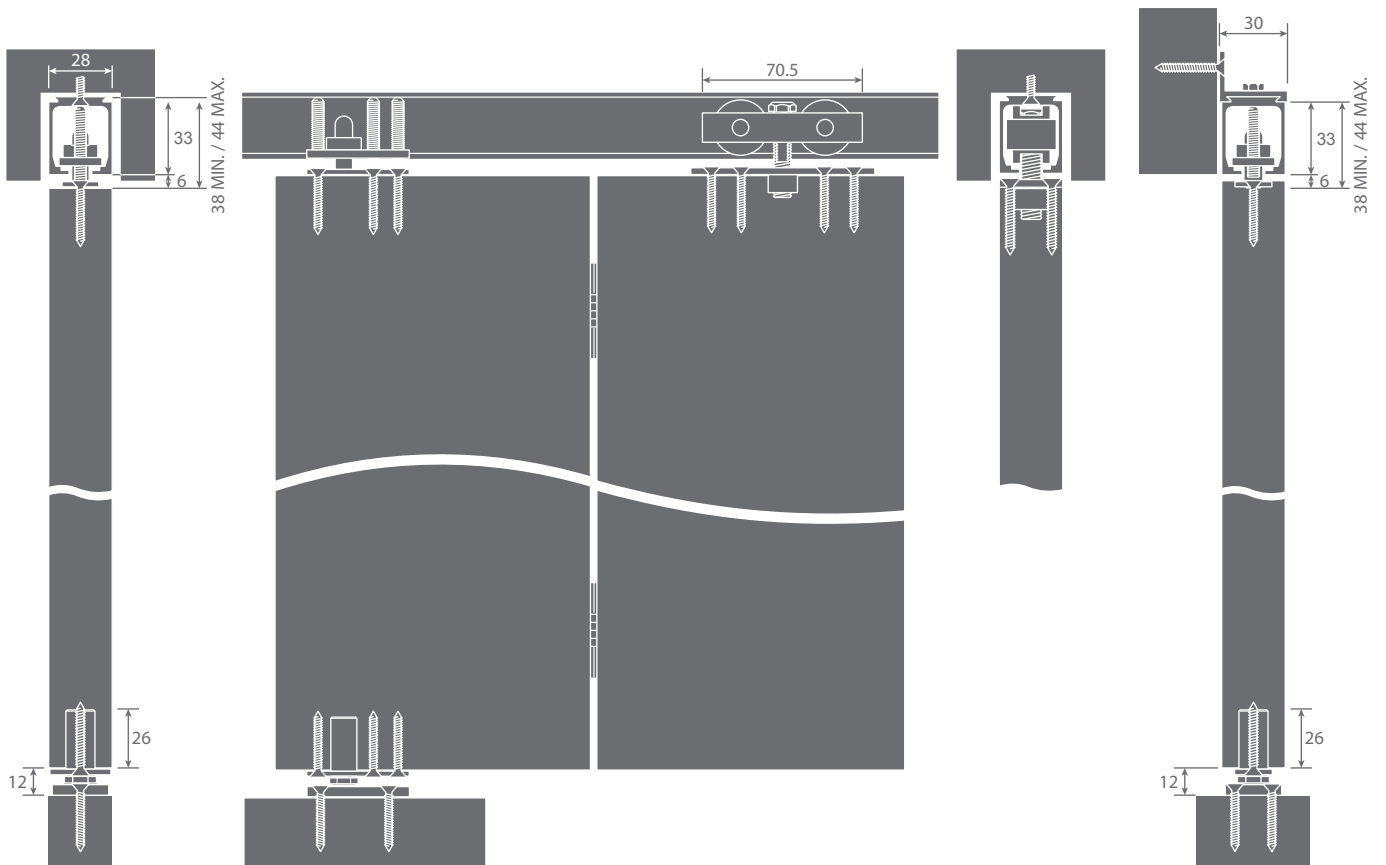
## **DT-081FD (38kgs) (5', 6', 8', 10')**

Folding Type Sliding Door Track Set  
Finish : F72  
(passed 70,000 cycle test)



# FOLDING TYPE SLIDING DOOR TRACK SETS

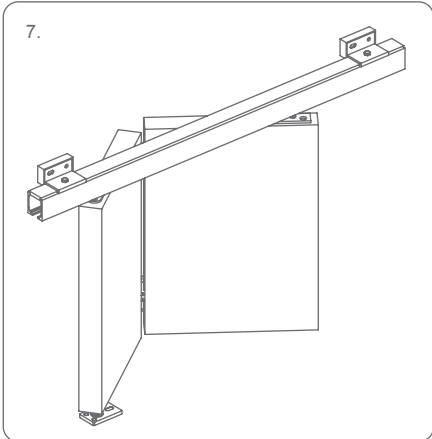
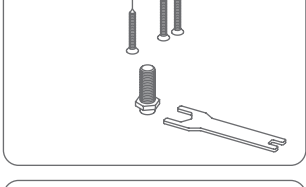
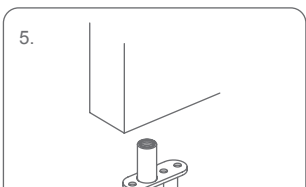
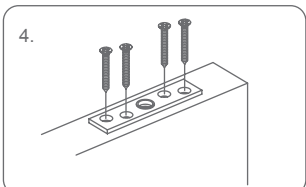
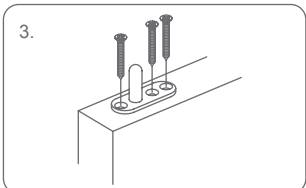
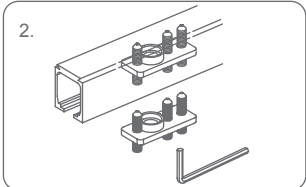
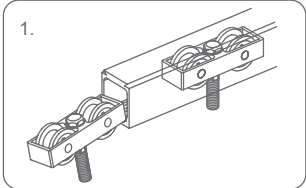
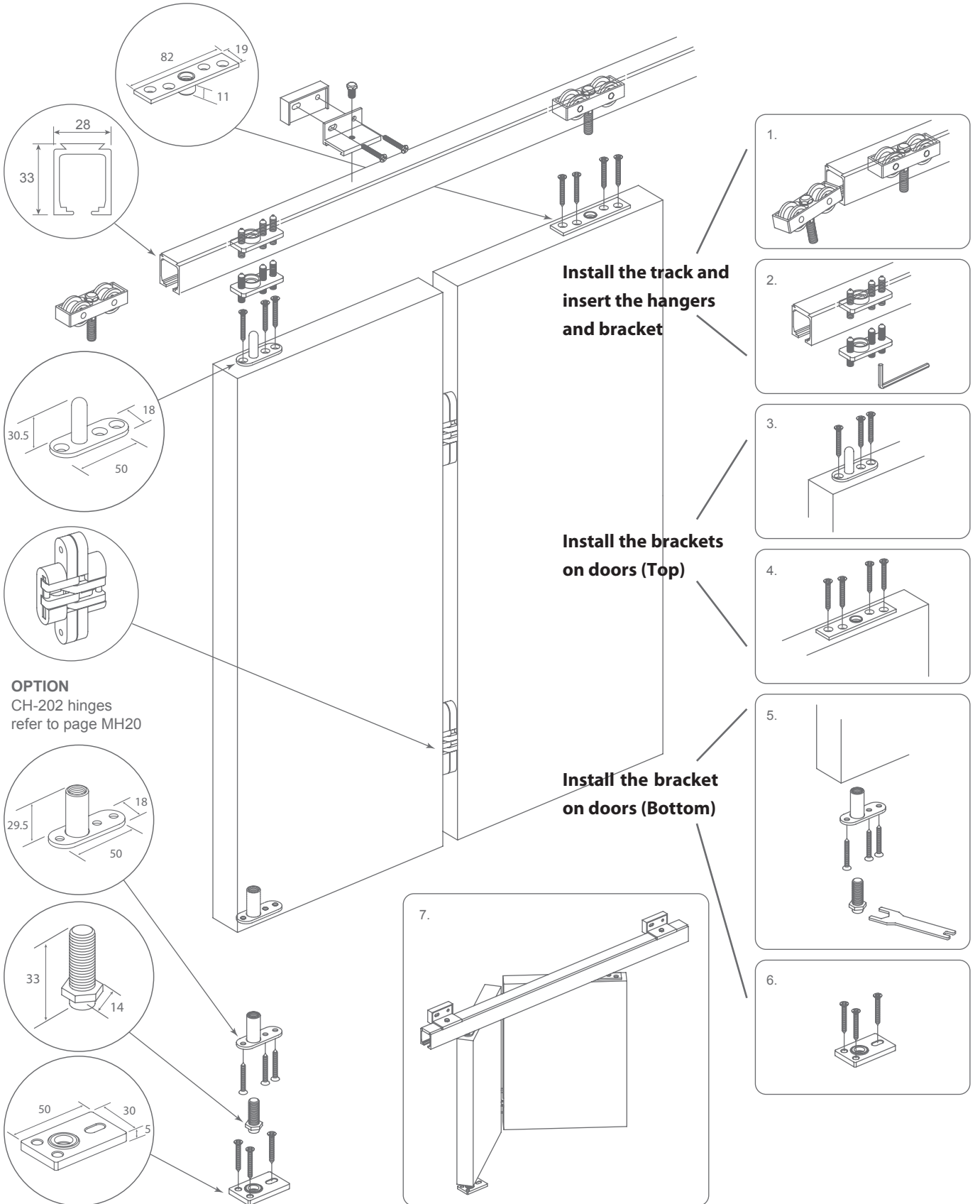
Dimensions  
in millimeters







Top Jamb Fixing

Side Wall Fixing



# Folding Type Sliding Door Track Sets Installation







## Electroplate Finishes List

<b>BONCO</b>	<b>Description</b>	<b>BONCO</b>	<b>Description</b>
	<b>F21</b> Bright chrome		<b>F22</b> Satin nickel
	<b>F31</b> Antique brass		<b>F32</b> Antique copper

## SUS Finishes List

<b>BONCO</b>	<b>Description</b>	<b>BONCO</b>	<b>Description</b>
	<b>F24</b> Satin stainless steel		<b>F25</b> Polished stainless steel

## BPC Finishes List

<b>BONCO</b>	<b>Description</b>	<b>BONCO</b>	<b>Description</b>
	<b>F91</b> Matt black powder coating		<b>F91T</b> Matt black powder coating with rough surface
	<b>F93</b> Matt white powder coating		<b>F93T</b> Matt white powder coating with rough surface

<b>BONCO</b>	<b>Description</b>	<b>BONCO</b>	<b>Description</b>
	<b>F94T</b> Matt light grey powder coating with rough surface		<b>F96T</b> Matt dark grey powder coating with rough surface
	<b>F97</b> Matt brown powder coating		<b>F97T</b> Matt brown powder coating with rough surface
	<b>F99</b> Matt champagne silver powder coating		<b>F100</b> Matt silver grey powder coating
	<b>F100T</b> Matt silver grey powder coating with rough surface		<b>F101</b> Matt champagne gold powder coating
	<b>F102</b> Matt antique brass gold powder coating		<b>F102T</b> Matt antique brass gold powder coating with rough surface
	<b>F104T</b> Matt light green powder coating with rough surface		<b>F105T</b> Matt dark green powder coating with rough surface
	<b>F106T</b> Matt light blue powder coating with rough surface		<b>F107T</b> Matt dark blue powder coating with rough surface
	<b>F108T</b> Matt rose gold powder coating with rough surface		

## PVD Finishes List

<b>BONCO</b>	<b>Description</b>	<b>BONCO</b>	<b>Description</b>
	<b>F16</b> Polished brass		<b>F17</b> Brushed brass
	<b>F301</b> Polished bronze		<b>F302</b> Brushed bronze
	<b>F303</b> Brushed chrome		<b>F304</b> Red gold
	<b>F305</b> Brushed red gold		<b>F306</b> Polished black chrome
	<b>F307</b> Brushed black chrome		<b>F308</b> Steel optic
	<b>F310</b> Polished nickel		<b>F311</b> Gold optic
	<b>F316</b> Brushed nickel		





Name of quality & dependability

[www.boncohardware.com](http://www.boncohardware.com)

**BONCO** Ironmongery Ltd.  
A Member of E. Bon Holdings (HKEx stock code 599)

---

16/F, First Commercial Building, 33 Leighton Rd., Causeway Bay, H.K.  
Tel : (852) 2891 2188 Fax : (852) 2834 2652

